

EVP

Vertical Multistage Pump



Application

- Water supply: Pressure boosting for main pipes and high-rise buildings
- Industrial pressure boosting: Water system, cleaning system, high pressure washing system and firefighting system
- Pressure boosting for pressure tank, sprinkling irrigation and trichling irrigation
- Air conditioner, cooling system and industrial cleaning

Features

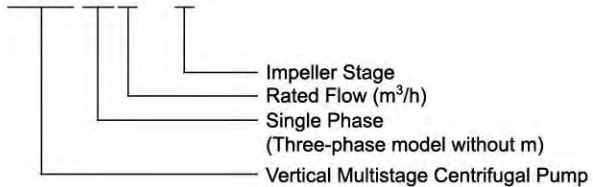
- Economic vertical multistage pumps
- Applicable for a wide scope of different temperatures, flow rates and pressure ranges
- Water inlet and outlet can be rotated for proper assembly in accordance with installation requirement
- Easy installation and maintenance
- Advanced hydraulic model design, featuring stable operation and high efficiency
- Cast iron water inlet and outlet with special anti-rust treatment
- High-strength engineering plastic flow passage components
- Reliable stainless steel welded shaft

Working Conditions

- Liquid temperature: +5°C ~ 60°C
- Maximum ambient temperature: +40°C
- Maximum pressure: 15 bar
- Altitude: up to 1000 m

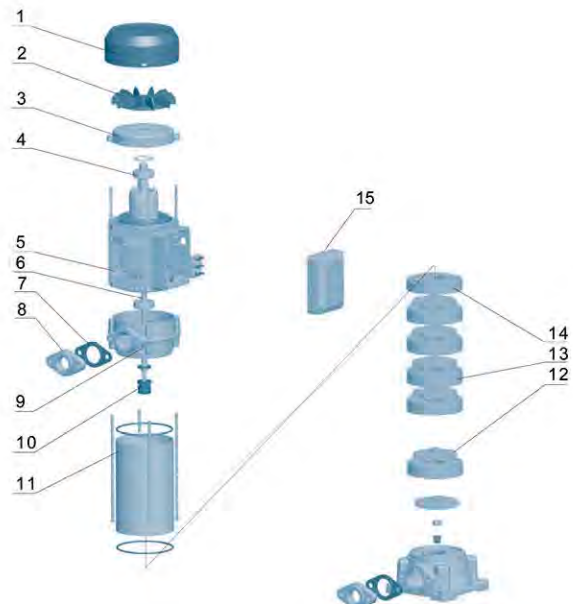
Identification Codes

EVP m 2 - 6



Materials Table

No.	Part	Material
1	Fan cover	08F
2	Fan	PP
3	Rear cover	Cast iron
4	Bearing	
5	Stator	
6	Rotor	
7	Gasket	Rubber
8	Flange	Cast iron
9	Motor bracket	Aluminum
10	Mechanical seal	Ceramic/Carbon
11	Pump barrel	AISI 304
12	Impeller	Plastic
13	Diffuser	Plastic
14	Last stage diffuser	Plastic
15	Capacitor box	Plastic

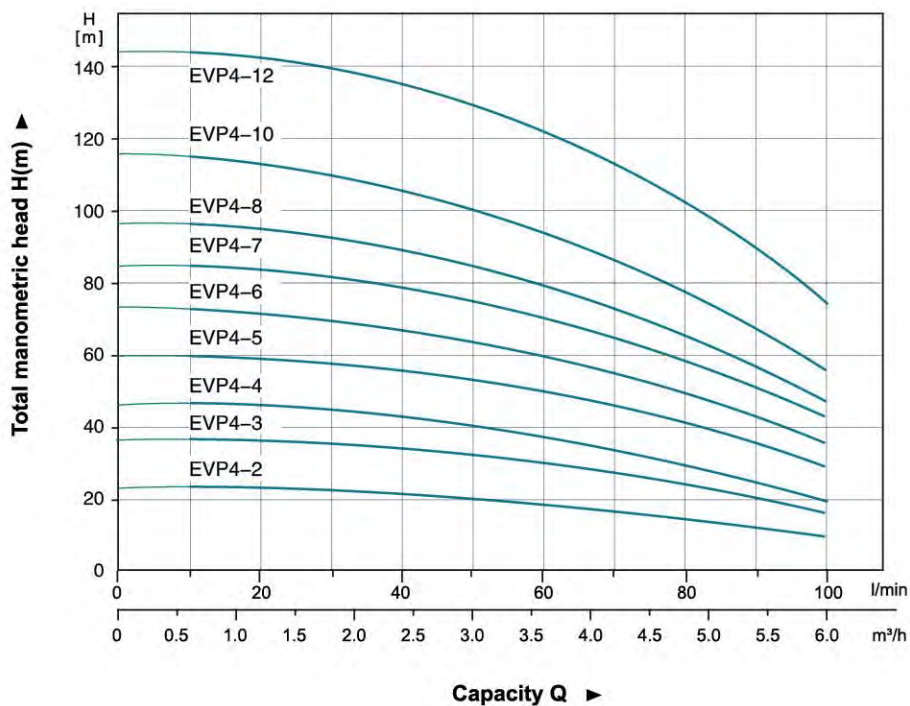
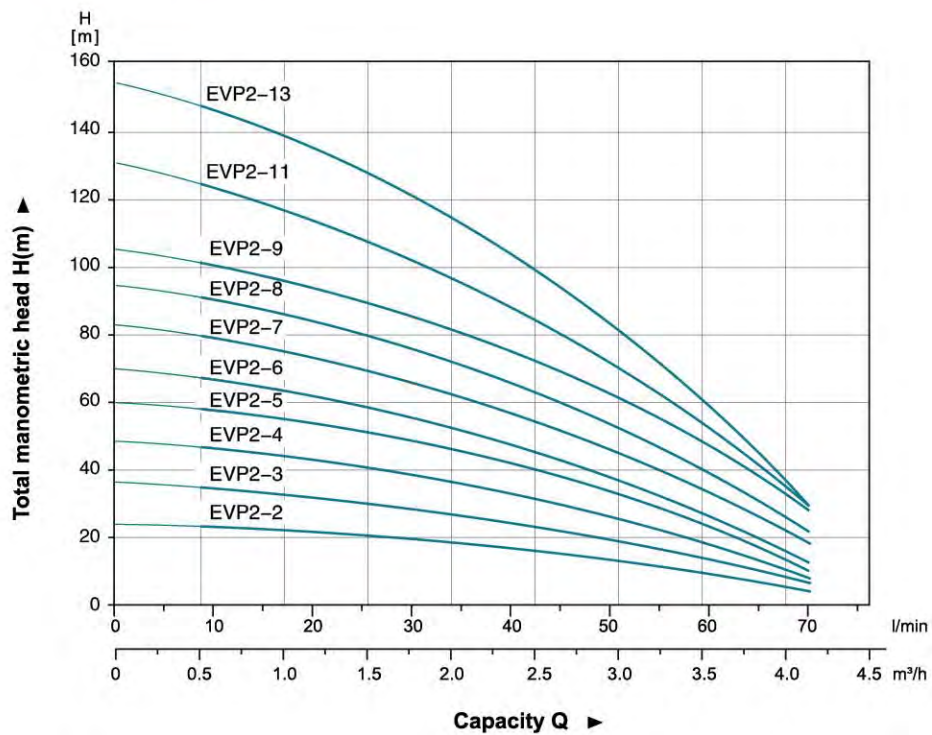


Model Selection Instructions

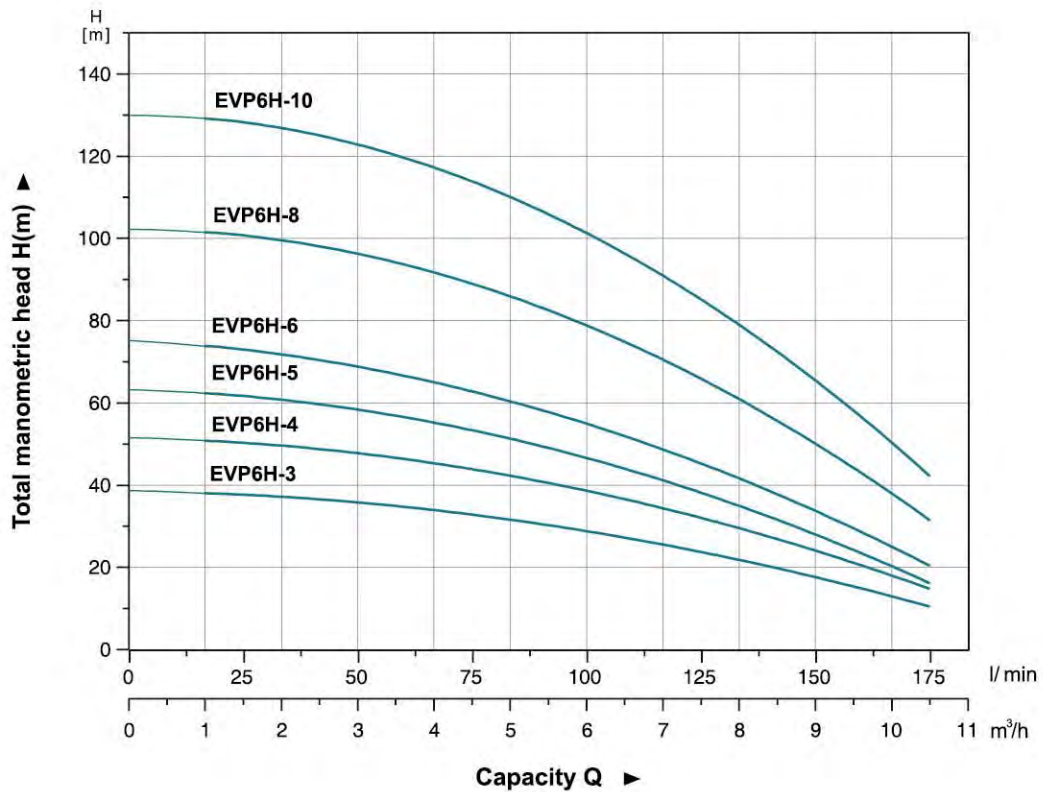
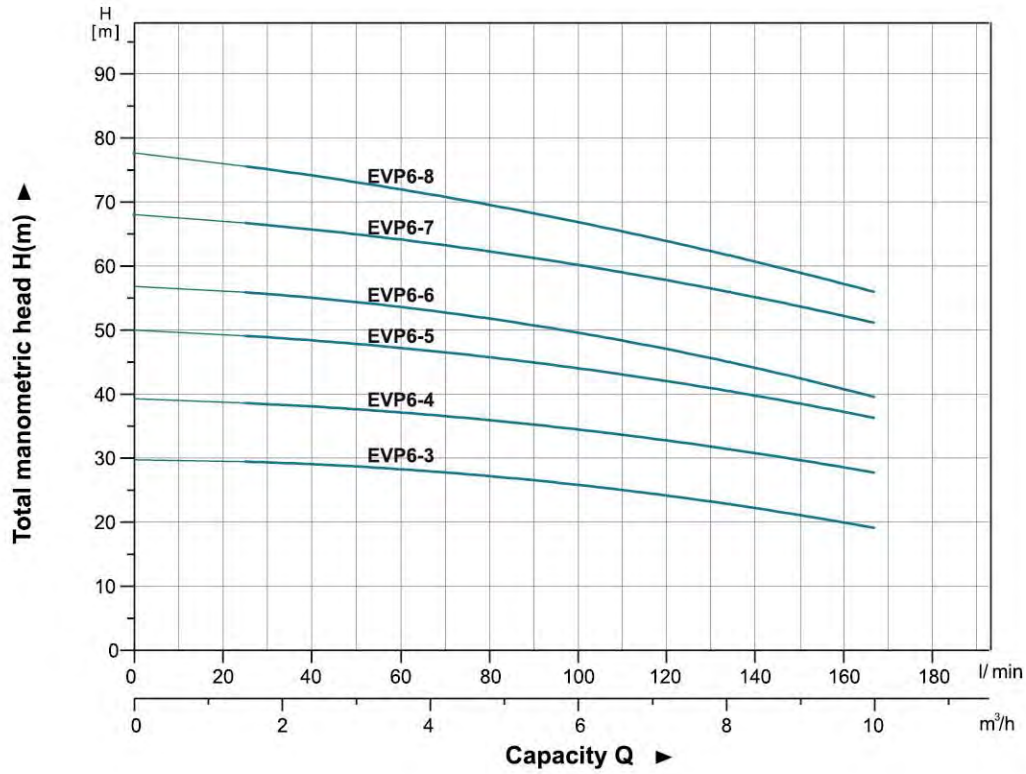
- Voltage and frequency: Single-phase 220-240V/50Hz;
Three-phase 380-415V/50Hz.

Please choose the pump with appropriate flow rate and head to meet your actual demand.

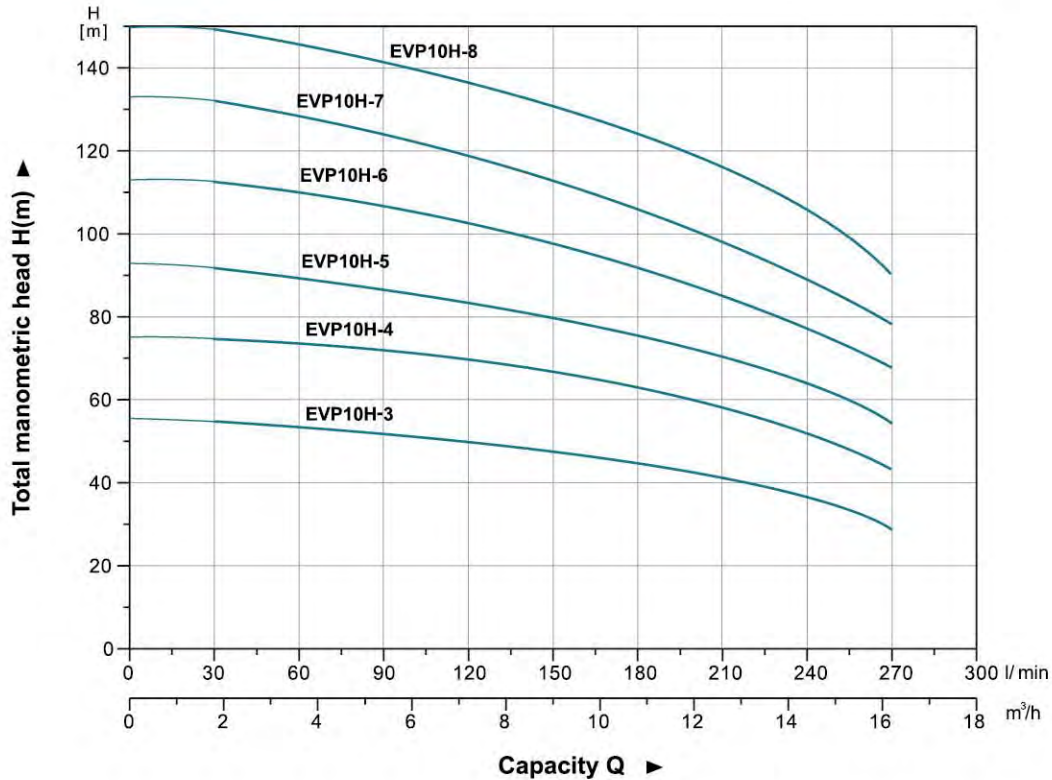
Hydraulic Performance Curves



Hydraulic Performance Curves



Hydraulic Performance Curves



Technical Data

Model		Power (P2)		Q (m³/h)	0	1	2	3	4
Single-phase	Three-phase	kW	HP	Q (l/min)	0	16.7	33.3	50	66.7
EVPm2-2	EVP2-2	0.37	0.5	H (m)	24	23	18	13	6
EVPm2-3	EVP2-3	0.55	0.75		36	33	26	20	9
EVPm2-4	EVP2-4	0.75	1.0		48	45	35	26	11
EVPm2-5	EVP2-5	1.0	1.5		59	57	44	33	15
EVPm2-6	EVP2-6	1.0	1.5		69	65	52	37	18
EVPm2-7	EVP2-7	1.1	1.5		82	75	62	45	25
EVPm2-8	EVP2-8	1.5	2.0		94	87	72	52	28
EVPm2-9	EVP2-9	1.5	2.0		105	98	82	60	35
EVPm2-11	EVP2-11	1.8	2.5		130	119	98	69	37
-	EVP2-13	2.2	3.0		153	142	115	80	39

Model		Power (P2)		Q (m³/h)	0	1	2	3	4	5	6
Single-phase	Three-phase	kW	HP	Q (l/min)	0	16.7	33.3	50	66.7	83.3	100
EVPm4-2	EVP4-2	0.55	0.75	H (m)	24	23	22	21	18	15	10
EVPm4-3	EVP4-3	0.75	1.0		37	36	34	33	29	24	16
EVPm4-4	EVP4-4	1.0	1.5		47	46	45	41	36	28	20
EVPm4-5	EVP4-5	1.5	2.0		61	58	57	55	48	39	29
EVPm4-6	EVP4-6	1.5	2.0		74	72	69	66	57	47	36
-	EVP4-7	2.2	3.0		86	83	81	77	68	57	43
-	EVP4-8	2.2	3.0		98	95	92	86	76	63	47
-	EVP4-10	2.2	3.0		116	114	110	102	90	73	57
-	EVP4-12	3.0	4.0		145	142	140	131	115	97	75

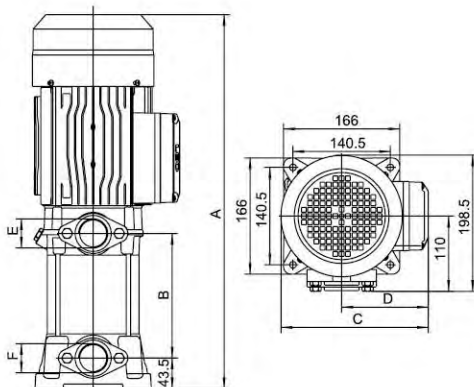
Technical Data

Model		Power (P2)		Q (m ³ /h)	0	1	2	3	4	5	6	7	8	9	10
Single-phase	Three-phase	kW	HP	Q (l/min)	0	16.7	33.3	50	66.7	83.3	100	116.7	133.3	150	166.7
EVPm6-3	EVP6-3	1.1	1.5	H (m)	30	29.5	29	28.5	28	27	26	24.5	23	21	19
EVPm6-4	EVP6-4	1.5	2.0		40	38.5	37.5	37.3	37	36	34	33.5	32	30	27
—	EVP6-5	2.2	3.0		50	49	48.5	48.3	48	45	43	42	41	39	36
—	EVP6-6	2.2	3.0		58	56	54	53.5	53	52	51	48	45	41	40
—	EVP6-7	3.0	4.0		68	67	66.5	65	63.5	62	60	58	56	54	51
—	EVP6-8	3.0	4.0		78	75	73	72	71	70	68	65	62	59	55

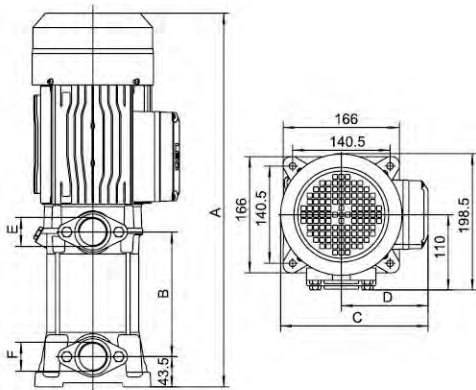
Model		Power (P2)		Q (m ³ /h)	0	1	2	3	4.5	6	7.5	9	10.5
Single-phase	Three-phase	kW	HP	Q (l/min)	0	16.7	33.3	50	75	100	125	150	175
EVPm6H-3	EVP6H-3	1.1	1.5	H (m)	39	38	37	35	33	29	24	18	10
EVPm6H-4	EVP6H-4	1.5	2		52	51	49	47	44	39	32	25	14
EVPm6H-5	EVP6H-5	1.8	2.5		64	62	60	58	54	47	38	28	16
—	EVP6H-6	2.2	3		76	74	71	68	63	56	45	34	20
—	EVP6H-8	3.0	4		103	100	97	95	90	80	66	50	31
—	EVP6H-10	4.0	5.5		130	127	124	121	114	103	86	66	41

Model	Power (P2)		Q (m ³ /h)	0	2	4	6	8	10	12	14	16
Three-phase	kW	HP	Q (l/min)	0	33	67	100	133	167	200	233	267
EVP10H-3	3.0	4.0	H (m)	56	55	54	52	49	46	42	39	29
EVP10H-4	4.0	5.5		75	74	72	70	67	64	60	53	43
EVP10H-5	5.5	7.5		93	91	87	84	81	77	72	64	55
EVP10H-6	5.5	7.5		113	110	107	104	100	96	87	78	68
EVP10H-7	7.5	10		132	128	124	120	116	112	103	93	80
EVP10H-8	7.5	10		150	147	143	139	134	127	120	108	92

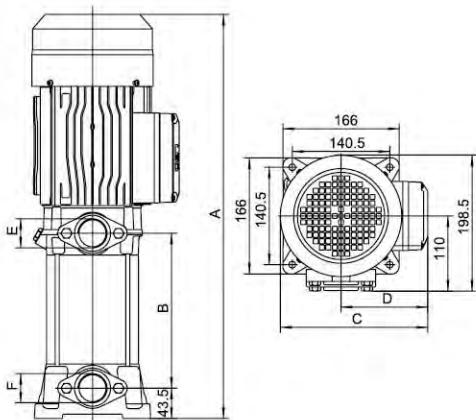
Dimension



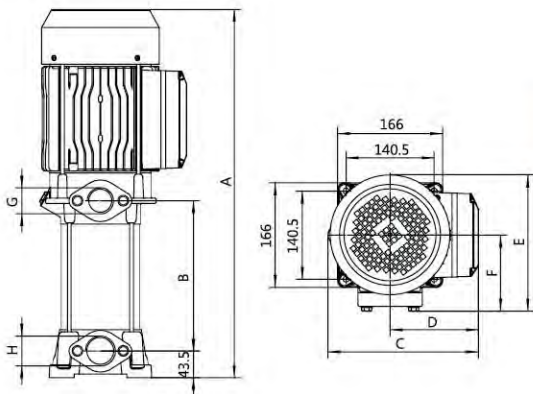
Model		Power (P2)	A	B	C	D	E	F	G	H
Single-phase	Three-phase	kW								
EVPm2-2	EVP2-2	0.37	382	122	193	110	202	114.5	G1	G1
EVPm2-3	EVP2-3	0.55	406	146	193	110	202	114.5	G1	G1
EVPm2-4	EVP2-4	0.75	430	170	193	110	202	114.5	G1	G1
EVPm2-5	EVP2-5	1.0	454	194	193	110	202	114.5	G1	G1
EVPm2-6	EVP2-6	1.0	478	218	193	110	202	114.5	G1	G1
EVPm2-7	EVP2-7	1.1	545	248.5	210	125	202	114.5	G1	G1
EVPm2-8	EVP2-8	1.5	569	272.5	210	125	202	114.5	G1	G1
EVPm2-9	EVP2-9	1.5	593	296.5	210	125	202	114.5	G1	G1
EVPm2-11	EVP2-11	1.8	641	344.5	210	125	202	114.5	G1	G1
—	EVP2-13	2.2	689	392.5	210	125	202	114.5	G1	G1



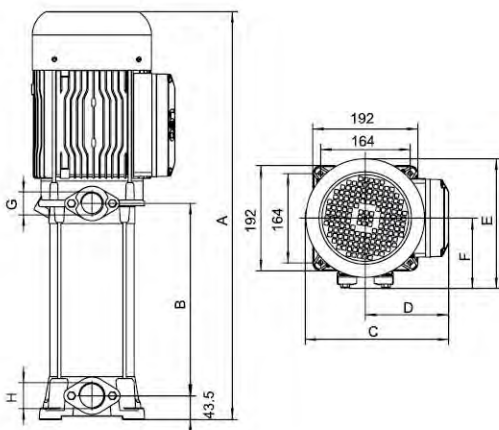
Model		Power (P2)	A	B	C	D	E	F	G	H
Single-phase	Three-phase	kW								
EVPm4-2	EVP4-2	0.55	382	122	193	110	202	114.5	G1	G1
EVPm4-3	EVP4-3	0.75	406	146	193	110	202	114.5	G1	G1
EVPm4-4	EVP4-4	1.0	430	170	193	110	202	114.5	G1	G1
EVPm4-5	EVP4-5	1.5	497	200.5	210	125	202	114.5	G1	G1
EVPm4-6	EVP4-6	1.5	521	224.5	210	125	202	114.5	G1	G1
-	EVP4-7	2.2	545	248.5	210	125	202	114.5	G1	G1
-	EVP4-8	2.2	569	272.5	210	125	202	114.5	G1	G1
-	EVP4-10	2.2	617	320.5	210	125	202	114.5	G1	G1
-	EVP4-12	3.0	731	374	240	141	218	121.5	G1	G1



Model		Power (P2)	A	B	C	D	E	F
Single-phase	Three-phase	kW						
EVPm6-3	EVP6-3	1.1	487	190	210	125	G1½	G1½
EVPm6-4	EVP6-4	1.5	524	227	210	125	G1½	G1½
-	EVP6-5	2.2	561	264	210	125	G1½	G1½
-	EVP6-6	2.2	598	301	210	125	G1½	G1½
-	EVP6-7	3.0	685	338	221	134	G1½	G1½
-	EVP6-8	3.0	722	375	221	134	G1½	G1½



Model		Power (P2)	A	B	C	D	E	F	G	H
Single-phase	Three-phase	kW								
EVPm6H-3	EVP6H-3	1.1	457	158.5	210	125	202	114.5	G1½	G1½
EVPm6H-4	EVP6H-4	1.5	483.5	185	210	125	202	114.5	G1½	G1½
EVPm6H-5	EVP6H-5	1.8	510	211.5	210	125	202	114.5	G1½	G1½
-	EVP6H-6	2.2	536.5	238	210	125	202	114.5	G1½	G1½
-	EVP6H-8	3.0	655	297.5	240	141	218	121.5	G1½	G1½
-	EVP6H-10	4.0	708	350.5	240	141	218	121.5	G1½	G1½



Model	Power (P2)	A	B	C	D	E	F	G	H
Three-phase	kW								
EVP10H-3	3.0	554.5	187	240	141	227.5	127.5	G1½	G1½
EVP10H-4	4.0	577.5	220	240	141	227.5	127.5	G1½	G1½
EVP10H-5	5.5	647	253	262	152	237.5	128.5	G1½	G1½
EVP10H-6	5.5	680	286	262	152	237.5	128.5	G1½	G1½
EVP10H-7	7.5	713	319	262	152	237.5	128.5	G1½	G1½
EVP10H-8	7.5	746	352	262	152	237.5	128.5	G1½	G1½