



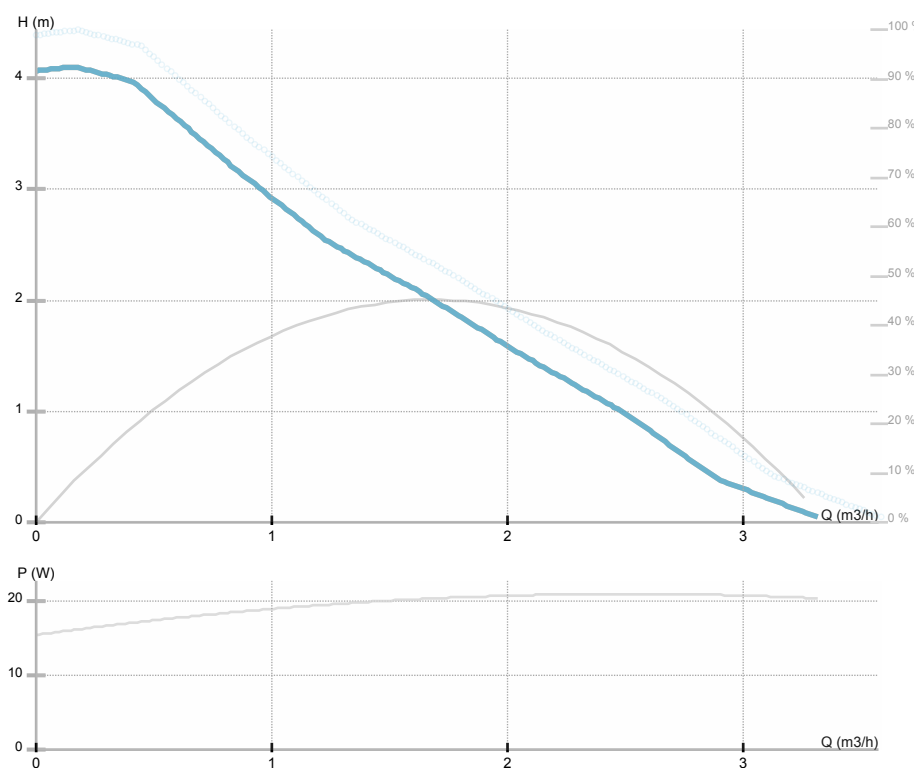
## NMT PLUS 25/40-130

979523842

NMT PLUS / Electronically regulated circulating pump  
 Heating/cooling, Klimatizacija

### GENERAL

Product number	<b>979523842</b>		
Product name	<b>NMT PLUS 25/40-130</b>		
Seal type		Energy efficiency index	<b>0.16</b>
Net weight	<b>2.20 kg</b>		
Head max. (H max)	<b>4.1 m</b>	H min	<b>0.0 m</b>
Flow max. (Q max)	<b>3.32 m<sup>3</sup>/h</b>	Q min	<b>0.0 m<sup>3</sup>/h</b>
	<b>45 %</b>		
Noise	<b>≤43 dB(A)</b>		



### ELECTRICAL DATA

Supply voltage	<b>1~230 V</b>
Mains frequency	<b>50 Hz</b>
Power input max.	<b>21 W</b>
Speed max.	<b>3500 rpm</b>
Insulation class	<b>F (155 °C)</b>
Current max.	<b>0.2 A</b>
Protection class	<b>IP44</b>
Thermal protection	
Frame size	
Motor IE class	

### INSTALLATION

Pumped liquid	<b>water VDI 2035, glycol 40%</b>
Liquid temperature	<b>-10.0 ÷ 110.0 °C</b>
Ambient temp.range	<b>40 °C</b>
Port-to-port length	<b>130 mm</b>
Pipe connection	<b>25</b>
Pressure rating	<b>G 1 ½</b>
Connection	<b>G 1 ½</b>
Max operating pressure	<b>1.0 MPa</b>

### MATERIAL

Bearing	<b>ceramics</b>
Impeller	<b>Noryl 1630V</b>
Hydraulics	<b>gray cast iron</b>
Shaft	<b>ceramics</b>

## **NMT PLUS 25/40-130**

979523842

NMT PLUS / Electronically regulated circulating pump

Heating/cooling, Klimatizacija



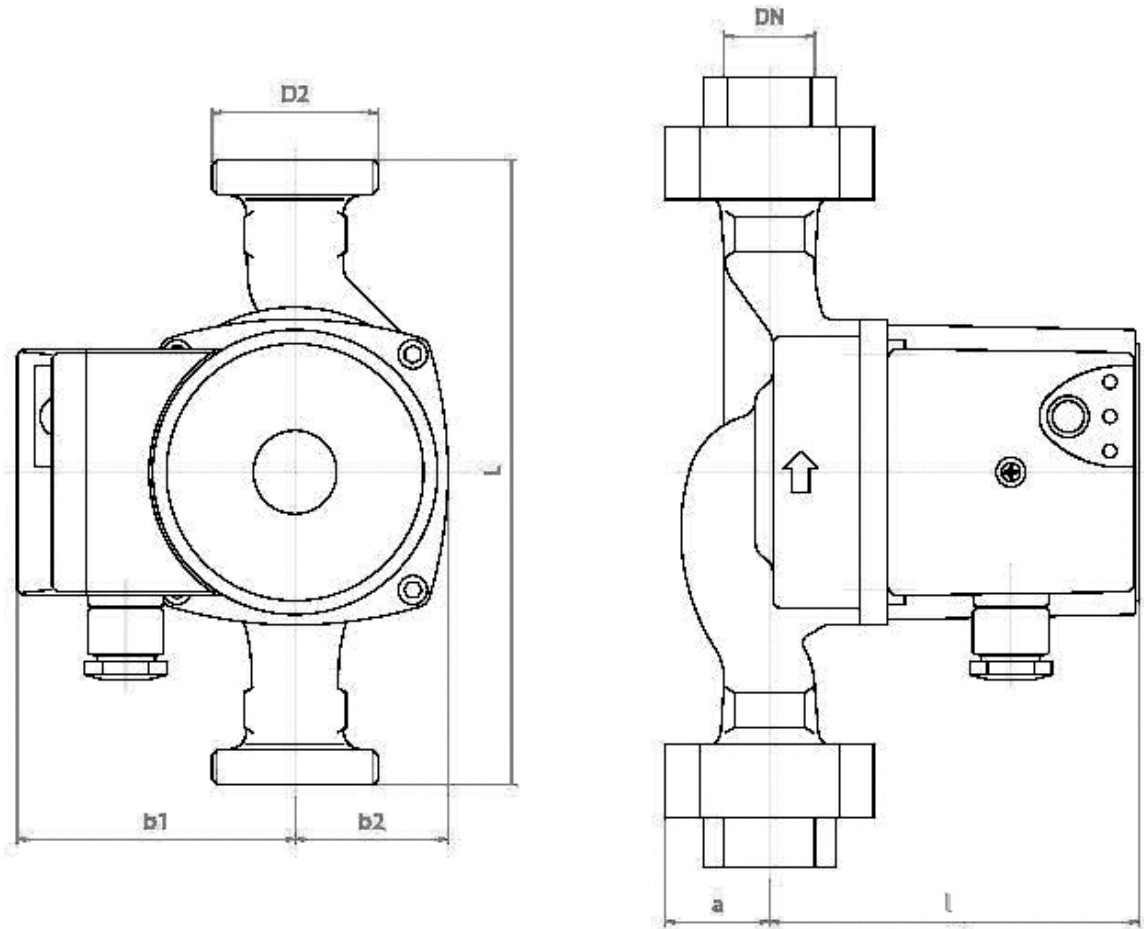


## NMT PLUS 25/40-130

979523842

NMT PLUS / Electronically regulated circulating pump  
Heating/cooling, Klimatizacija

Dimension drawing



L=130 DN=25 b1=79 b2=47,5 l=108 a=32 D2=6/4

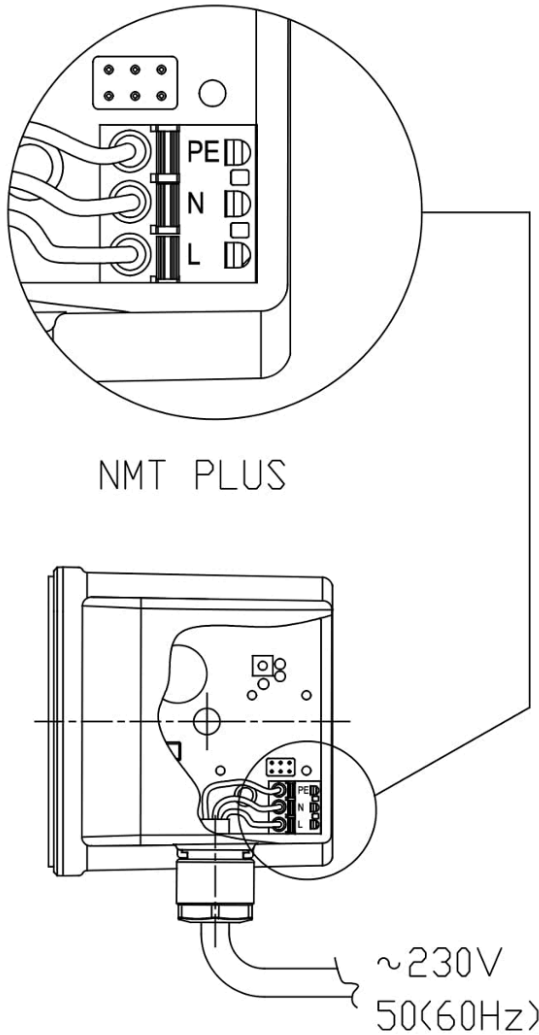


## **NMT PLUS 25/40-130**

979523842

NMT PLUS / Electronically regulated circulating pump  
Heating/cooling, Klimatizacija

Electrical wiring





## **NMT PLUS 25/40-130**

979523842

NMT PLUS / Electronically regulated circulating pump  
Heating/cooling, Klimatizacija

NMT PLUS 25/40-130 is high-efficiency pump with three-stage regulation for heating systems, air conditioning installations and other circulation systems (circulation is ensured by New Motor Technology - NMT), with screwed connection and integrated electronic power control. The built-in electronics measures the converted pressure and flow values and thus automatically adjusts the duty point according to the set operating mode.

Main features:

- high performance permanent magnet electronically commutated motor (ECM)
- proportional-pressure operating mode
- constant speed operating mode
- built-in electric protection
- easy installation and quiet operation
- automatic air venting function

For normal operation of the pump, it is necessary to use a working medium consisting of clean water or a mixture of clean water and glycol in accordance with current water quality standards for heating systems, for example the German standard VDI 2035. If the glycol content in the working medium exceeds 20%, it is recommended to check the pump parameters Temperature range at an ambient temperature of +25 °C: +2...+110 °C, at ambient temperature +40 °C: +2...+95 °C.

Operating point:

- Flow: 0 m<sup>3</sup>/h
- Head: 0 m

Pressure and flow tolerances according to ISO 9906-2015.

Electrical data:

- Voltage: 1~230 V
- Maximum current: 0.2 A

Installation data:

- DN: 25
- Installation length: 130 mm
- Net weight: 2.2 kg

The pump is available with threaded (PN10) connection. The hydraulic pump housing is made of gray cast iron, protected by a cataphoresis coating, which makes the pump more resistant to the environment. The rotor can is made of one piece without welding, the rotor cladding is made of AISI 316 stainless steel, the pump shaft is made of . The impeller is made of synthetic material reinforced with glass fiber PES GF30. The bearings are made of ceramics.