

2CP 25/130

Twin impeller centrifugal pump

 Clean water

 Domestic use



INSTALLATION AND USE

Designed to transfer clean water free from abrasive particles and liquids that will not damage the pump's components. They can be used in a variety of applications thanks to their high performance and adaptability.

They are an ideal choice for domestic water distribution when used with pressure tanks.

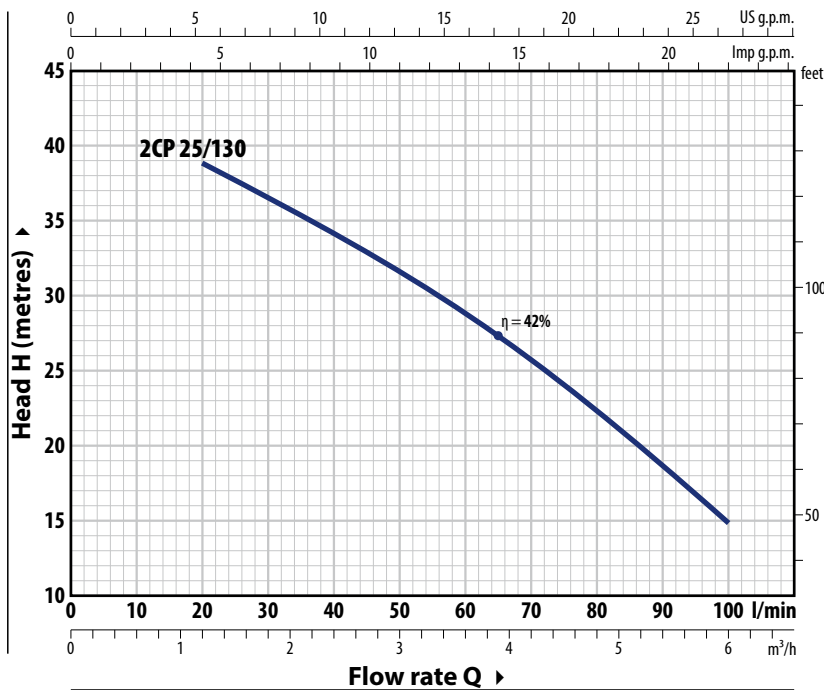
APPLICATION LIMITS

- Manometric suction head up to **7 m**
- Liquid temperature between **-10 °C** and **+90 °C**
- Ambient temperature up to **+40 °C**
- Maximum working pressure **6 bar**

AVAILABLE UPON REQUEST

- ✘ Mechanical seal options available
- ✘ Different voltage requirements 60 Hz frequency

CURVES AND PERFORMANCE DATA – HS=0 m 50 Hz



CONSUMPTIONS

TYPE	VOLTAGE
Single-phase	230 V
2CPm 25/130	6.3 A

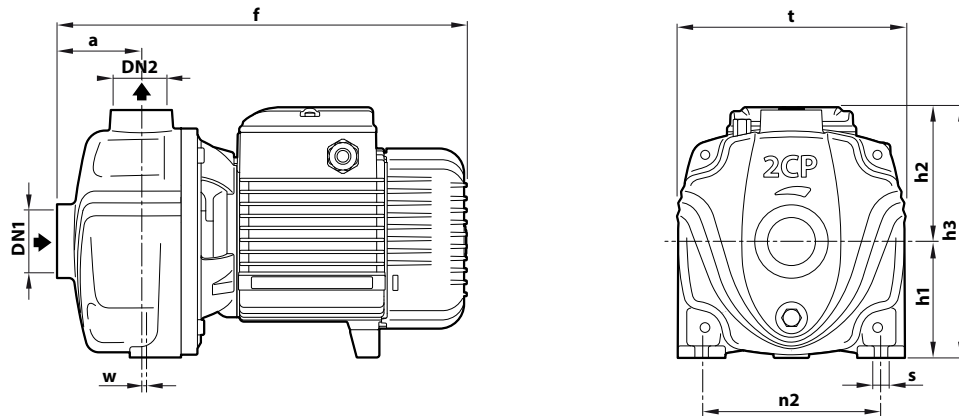
TYPE	VOLTAGE	
Three-phase	230 V - Δ	400 V - Y
2CP 25/130	4.5 A	2.6 A

TYPE		POWER (P ₂)		1~3~	Q	Flow rate										
Single-phase	Three-phase	kW	HP			m ³ /h	0	1.2	1.8	2.4	3	3.6	4.2	4.8	5.4	6
2CPm 25/130	2CP 25/130	0.75	1	IE2 IE3	H metres	42	39	37	34.5	31.5	28.5	25.5	22	18	15	

Q = Flow rate H = Total manometric head HS = Suction height

Performance curves comply with EN ISO 9906 Grade 3B tolerance limits.

DIMENSIONS AND WEIGHT



TYPE		PORTS		DIMENSIONS mm									kg	
Single-phase	Three-phase	DN1	DN2	a	f	h1	h2	h3	t	n2	w	s	1~	3~
2CPm 25/130	2CP 25/130	1 1/4"	1"	73	332	92	108	200	180	142	2.5	10	15.5	15.4

MATERIALS AND COMPONENTS

1 Pump body	Cast iron with ISO 228/1 threaded ports (Start of production with new design 06.2024)		
2 Cover	Stainless steel AISI 304		
3 Impellers	Stainless steel AISI 304		
4 Diffusers	Stainless steel AISI 304		
5 Mechanical seal	Seal	Shaft	Materials
	AR-14	Ø 14 mm	Ceramic / Graphite / NBR
6 Motor shaft	Stainless steel AISI 431		
7 Electric motor	2CPm 25/130: single-phase 230 V - 50Hz with winding integrated thermal motor protection 2CP 25/130: three-phase 230/400 V - 50 Hz ※ Pumps are equipped with high-efficiency motors (IEC 60034-30-1) class IE2 for single-phase models class IE3 for three-phase models Continuous running duty S1		

