

2-5CR

Multi-stage centrifugal pumps

-  Clean water
-  Domestic use
-  Civil use



※ Quiet, energy-efficient stainless steel multi-stage pumps

- ※ Pump body: **Stainless steel AISI 304**
- ※ Cover: **Stainless steel AISI 304**
- ※ Impellers: **Stainless steel AISI 304**
- ※ Shaft: **Stainless steel AISI 431**

PERFORMANCE RANGE

- Flow rate up to **130 l/min** (7.8 m³/h)
- Head up to **67 m**

INSTALLATION AND USE

Designed to transfer clean water free from abrasive particles and liquids that will not damage the pump's components. Highly reliable and quiet, they are suitable for domestic applications.

They work seamlessly with pressure tanks, offering an ideal setup for all irrigation requirements.

ELECTRIC MOTOR


The three-phase pumps are equipped with newly developed electric motors designed to work with inverters, which guarantee stable and quiet operation.

Efficiency class **IE3** for three-phase motors and **IE2** for single-phase motors, with class F insulation and IPX4 protection.

APPLICATION LIMITS

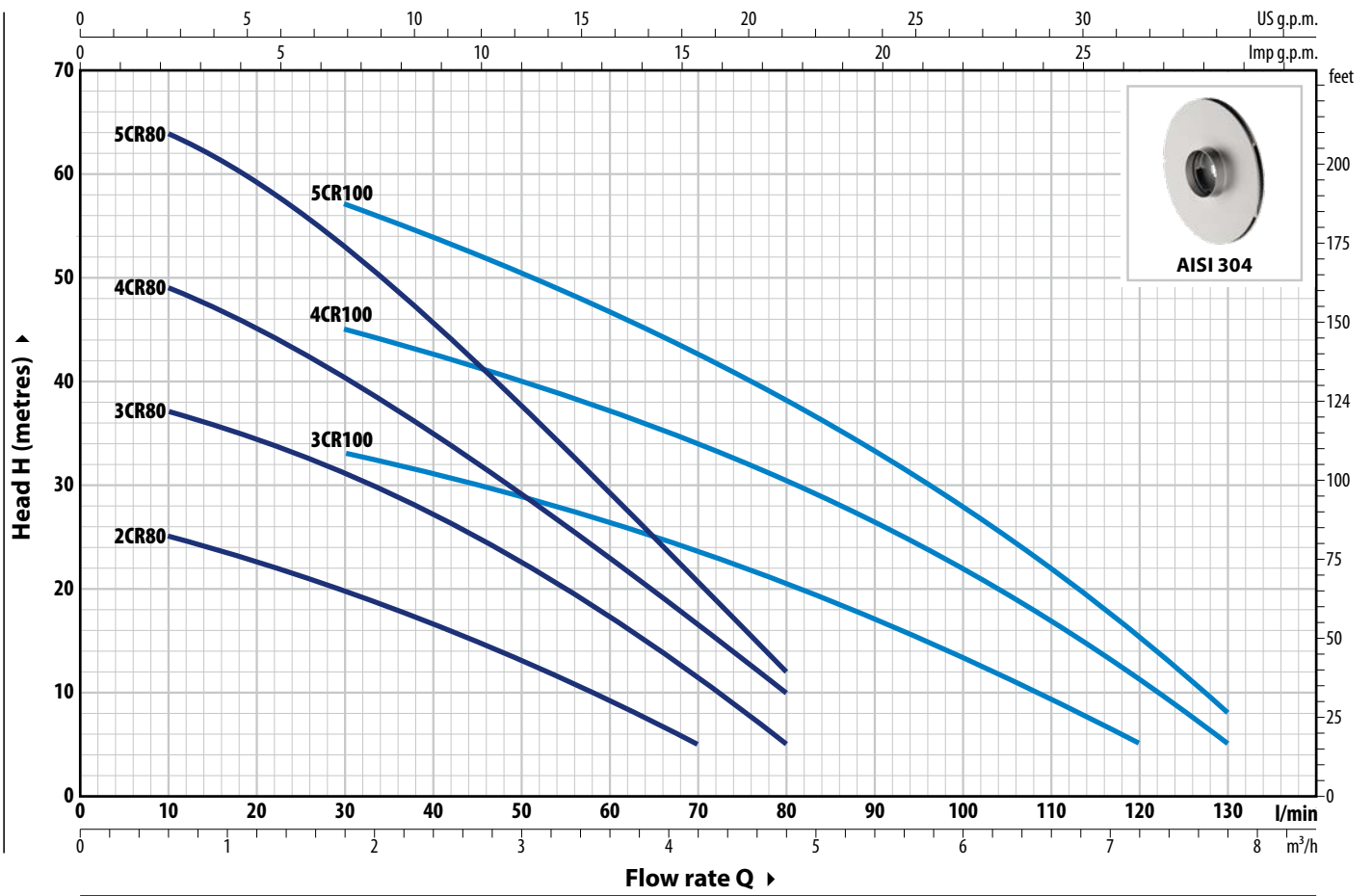
- Manometric suction head up to **7 m**
- Liquid temperature between **-10 °C** and **+60 °C**
- Ambient temperature up to **+40 °C**
- Maximum working pressure **7 bar**

AVAILABLE UPON REQUEST

- ※ Technopolymer impeller (cost-effective version)
- ※ Mechanical seal options available
- ※ Different voltage requirements 60 Hz frequency
- ※ Certified pumps 

CURVES AND PERFORMANCE DATA – HS=0 m

50 Hz



TYPE		POWER (P ₂)		1~3~	Q	H metres																
Single-ph.	Three-ph.	kW	HP			0	0.3	0.6	1.2	1.8	2.4	3.0	3.6	4.2	4.8	5.4	6.0	6.6	7.2	7.8		
					m ³ /h	0	5	10	20	30	40	50	60	70	80	90	100	110	120	130		
2CRm 80	2CR 80	0.30	0.40	IE2 IE3	H metres	27	26	25	22.5	20	16.5	13	9	5								
3CRm 80	3CR 80	0.45	0.60			40	38	37	34.5	31	27	22.5	17	11	5							
4CRm 80	4CR 80	0.55	0.75			52	50	49	44.5	40	34	28.5	22.5	16	10							
5CRm 80	5CR 80	0.75	1			67	66	64	59	53	45.5	37.5	29.5	20.5	12							
3CRm 100	3CR 100	0.55	0.75			38	37	36	34.5	33	31	28	26	23	20	17	13.5	10	5			
4CRm 100	4CR 100	0.75	1			50	50	49	47	45	42	39.5	37	34	30.5	26.5	22	17	11	5		
5CRm 100	5CR 100	0.90	1.25			63	62	61.5	59.5	57	53.5	50.5	46.5	42.5	38	33	28	22	15	8		

Q = Flow rate H = Total manometric head HS = Suction height

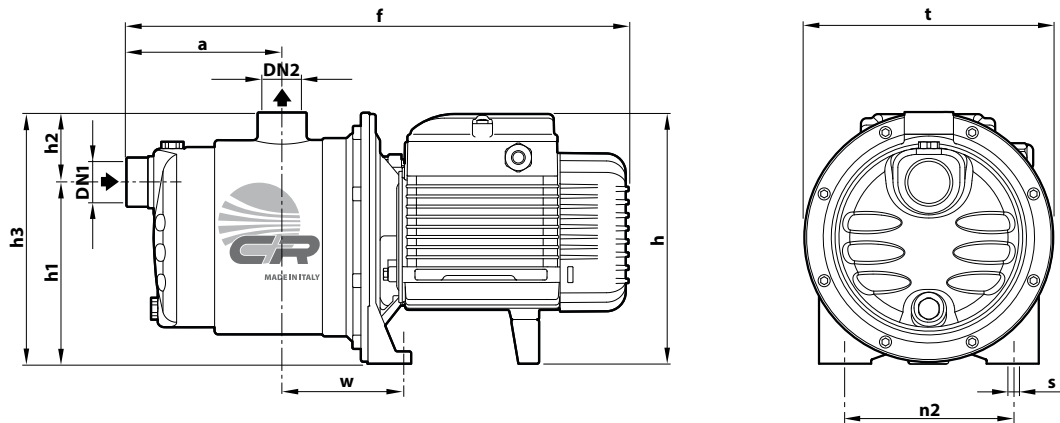
Performance curves comply with EN ISO 9906 Grade 3B tolerance limits.

ABSORPTION

TYPE	VOLTAGE
Single-phase	230 V
2CRm 80	2.2 A
3CRm 80	3.2 A
4CRm 80	3.9 A
5CRm 80	5.5 A
3CRm 100	3.9 A
4CRm 100	5.8 A
5CRm 100	6.8 A

TYPE	VOLTAGE	
	230 V - Δ	400 V - ㄩ
2CR 80	1.7 A	1.0 A
3CR 80	2.6 A	1.5 A
4CR 80	3.5 A	2.0 A
5CR 80	4.3 A	2.5 A
3CR 100	3.5 A	2.0 A
4CR 100	4.0 A	2.3 A
5CR 100	4.3 A	2.5 A

DIMENSIONS AND WEIGHT



TYPE		PORTS		DIMENSIONS mm										kg	
Single-phase	Three-phase	DN1	DN2	a	f	h	h1	h2	h3	t	n2	w	s	1~	3~
2CRm 80	2CR 80	1"	1"	113	367	182	132	51	183	182	120	87	9	6.9	6.9
3CRm 80	3CR 80													7.9	7.9
4CRm 80	4CR 80			9.1	8.4										
5CRm 80	5CR 80			10	11.8	11.8									
3CRm 100	3CR 100			9	8.6	7.9									
4CRm 100	4CR 100			10	11.6	11.6									
5CRm 100	5CR 100				12.4	11.7									

(*) h=221 mm for single-phase 110V versions

PALLET CAPACITY

TYPE		NO. OF PUMPS
Single-phase	Three-phase	
2CRm 80	2CR 80	84
3CRm 80	3CR 80	84
4CRm 80	4CR 80	72
5CRm 80	5CR 80	72
3CRm 100	3CR 100	84
4CRm 100	4CR 100	72
5CRm 100	5CR 100	72

MATERIALS AND COMPONENTS

1 Pump body	Stainless steel AISI 304 , provided with ISO 228/1 threaded ports		
2 Cover	Stainless steel AISI 304		
3 Impellers	Stainless steel AISI 304		
4 Diffusers	Noryl™ complete with wear rings		
5 Mechanical seal	Seal	Shaft	Materials
	AR-13	Ø 13 mm	Ceramic / Graphite / NBR
6 Motor shaft	Stainless steel AISI 431		
7 Electric motor	2-5CRm : single-phase 230 V - 50 Hz with winding integrated thermal motor protection 2-5CR : three-phase 230/400 V - 50 Hz ※ Pumps are equipped with high-efficiency motors (IEC 60034-30-1) class IE2 for single-phase models class IE3 for three-phase models Continuous running duty S1		

