

-  Clean water
-  Domestic use
-  Civil use

※ **Reduction of energy consumption by up to 50%**



From an evolution of the classic JET pump concept, a SUPER JET was born.

- ※ **Stainless steel pump body and impeller**
- ※ **Better consumption/performance ratio**
- ※ **High hydraulic efficiency**
- ※ **Noise reduction**

PERFORMANCE RANGE

- Flow rate up to **120 l/min** (7.2 m³/h)
- Head up to **59 m**

FUTURE JET-ST

Developed by our innovative research and development team, this pump revolutionizes the classic self-priming design.

With an international registered patent, the **FUTURE JET-ST** not only matches the pressure of a traditional JET pump, it surpasses it. Moreover, it doubles the flow rate while reducing energy consumption by up to 50%.

INSTALLATION AND USE

FUTURE JET-ST self-priming pumps are designed to draw water and liquids that contain air.

They are reliable and easy to operate. They are a favorite for domestic use, particularly effective for water distribution with small to medium-sized pressure tanks and suitable for irrigation.

APPLICATION LIMITS

- Manometric suction head up to **9 m** (HS)

- Liquid temperature between **-10 °C** and **+40 °C**
- Ambient temperature up to **+40 °C**
- Maximum working pressure **6 bar**

AVAILABLE UPON REQUEST

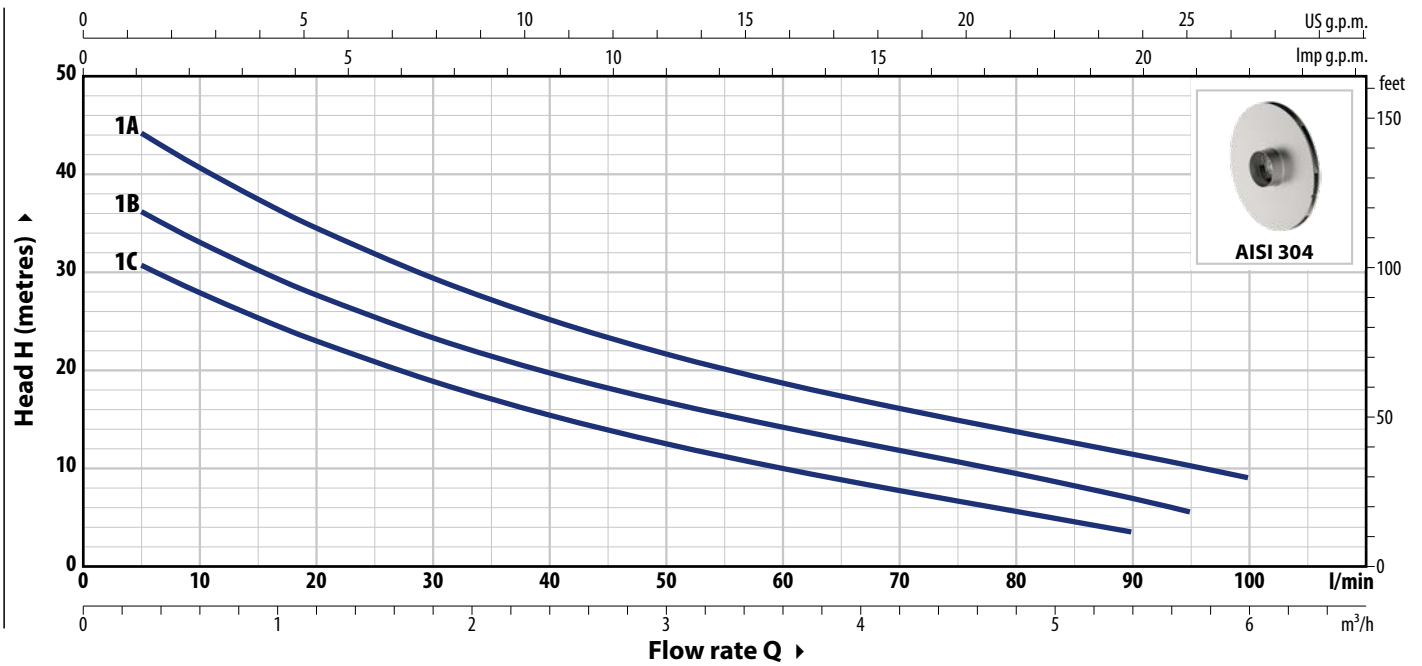
- ※ Technopolymer impeller (cost-effective version)
- ※ Different voltage requirements 60 Hz frequency

PATENTS - TRADE MARKS - MODELS

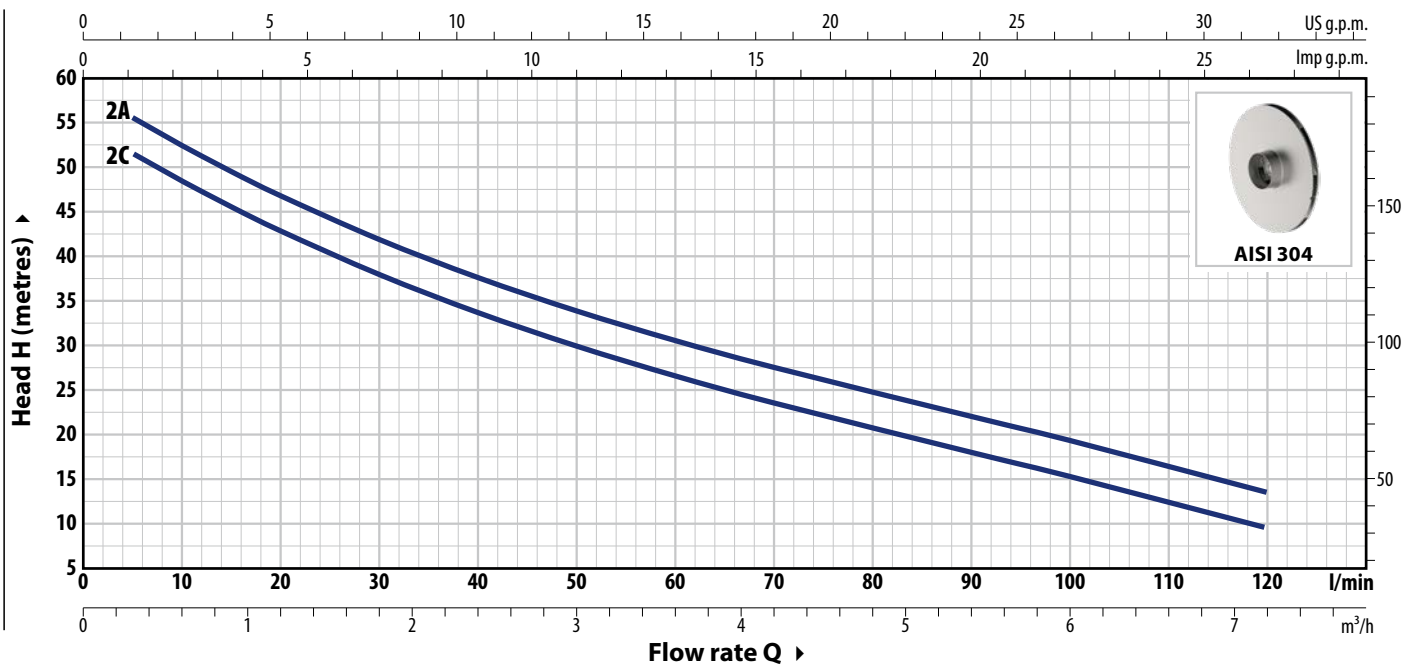
- FUTURE JET® Registered Trade mark No. 018198453
- European Patent No. 1 510 696
- Patent No. PCT/IT2019/050168

CURVES AND PERFORMANCE DATA – HS=0 m

50 Hz



TYPE		POWER (P ₂)		1~3~	Q	Flow rate											
Single-phase	Three-phase	kW	HP			m ³ /h	0	0.3	0.6	1.2	2.4	3.6	4.8	5.4	5.7	6.0	
FUTURE JETm 1C-ST	FUTURE JET 1C-ST	0.37	0.50	IE2 IE3	H metres	0	5	10	20	40	60	80	90	95	100		
FUTURE JETm 1B-ST	FUTURE JET 1B-ST	0.48	0.65			33.5	30.5	28	23	15.4	10	6	3.5				
FUTURE JETm 1A-ST	FUTURE JET 1A-ST	0.55	0.75			40	36	33	27.6	19.7	14.2	9.5	7	5.5			
						48	44	40.6	34.5	25.2	18.7	13.7	11.4	10.2	9		



TYPE		POWER (P ₂)		1~3~	Q	Flow rate											
Single-phase	Three-phase	kW	HP			m ³ /h	0	0.3	0.6	1.2	2.4	3.6	4.8	5.4	5.7	6.0	7.2
FUTURE JETm 2C-ST	FUTURE JET 2C-ST	0.75	1	IE2 IE3	H metres	0	5	10	20	40	60	80	90	95	100	120	
FUTURE JETm 2A-ST	FUTURE JET 2A-ST	0.90	1.25			55	52	49	43	34	27	20.5	18.3	17	15.5	10	
						59	56	53	47	38	32	25	22.3	21	19.5	13.7	

Q = Flow rate H = Total manometric head HS = Suction height

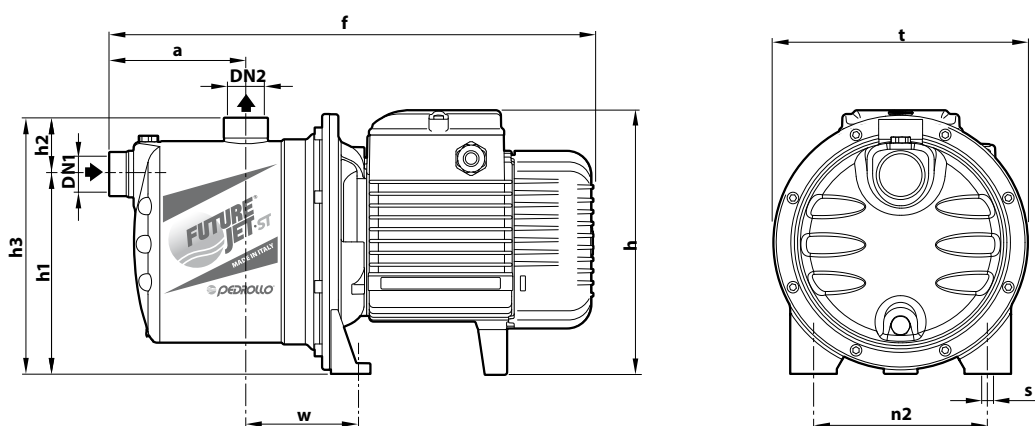
Performance curves comply with EN ISO 9906 Grade 3B tolerance limits.

ABSORPTION

TYPE	VOLTAGE
Single-phase	230 V
FUTURE JETm 1C-ST	2.6 A
FUTURE JETm 1B-ST	3.2 A
FUTURE JETm 1A-ST	4.0 A
FUTURE JETm 2C-ST	5.8 A
FUTURE JETm 2A-ST	6.6 A

TYPE	VOLTAGE	
	230 V - Δ	400 V - 人
FUTURE JET 1C-ST	1.7 A	1.0 A
FUTURE JET 1B-ST	2.1 A	1.2 A
FUTURE JET 1A-ST	2.8 A	1.6 A
FUTURE JET 2C-ST	4.7 A	2.7 A
FUTURE JET 2A-ST	5.2 A	3.0 A

DIMENSIONS AND WEIGHT



TYPE	PORTS	DIMENSIONS mm												kg			
		DN1	DN2	a	f	h	h1	h2	h3	t	n2	w	s	1~	3~		
Single-phase																	
Three-phase																	
FUTURE JETm 1C-ST	FUTURE JET 1C-ST															7.1	7.1
FUTURE JETm 1B-ST	FUTURE JET 1B-ST	1"	1"	113	367	183	132	51	183	182	120	87	9		7.1	7.1	
FUTURE JETm 1A-ST	FUTURE JET 1A-ST														7.8	7.1	
FUTURE JETm 2C-ST	FUTURE JET 2C-ST	1"	1"	111	393	217*	162	46	208	208	142	91	10		11.2	11.2	
FUTURE JETm 2A-ST	FUTURE JET 2A-ST														12.0	11.2	

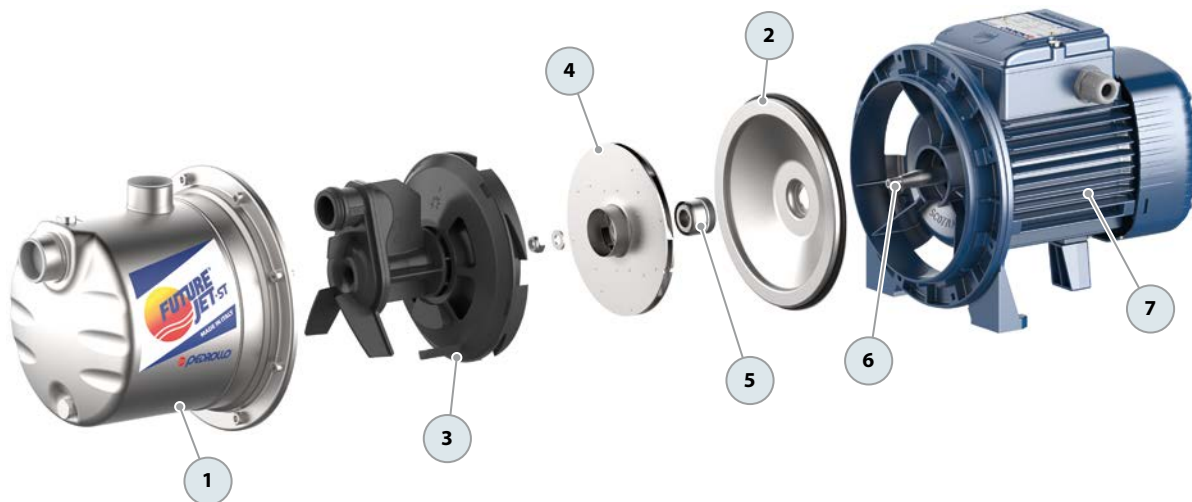
(*) h=236 mm for single-phase 110 V versions

PALLET CAPACITY

TYPE	NO. OF PUMPS	
Single-phase		
Three-phase		
FUTURE JETm 1C-ST	FUTURE JET 1C-ST	84
FUTURE JETm 1B-ST	FUTURE JET 1B-ST	84
FUTURE JETm 1A-ST	FUTURE JET 1A-ST	84
FUTURE JETm 2C-ST	FUTURE JET 2C-ST	60
FUTURE JETm 2A-ST	FUTURE JET 2A-ST	60

MATERIALS AND COMPONENTS

1 Pump body	Stainless steel AISI 304 , provided with ISO 228/1 threaded ports			
2 Cover	Stainless steel AISI 304			
3 Ejector unit	Noryl™			
4 Impeller	Stainless steel AISI 304			
5 Mechanical seal	Water pump	Seal	Shaft	Materials
	FUTURE JET 1-ST	AR-12	Ø 12 mm	Ceramic / Graphite / NBR
	FUTURE JET 2-ST	AR-14	Ø 14 mm	Ceramic / Graphite / NBR
6 Motor shaft	Stainless steel AISI 431			
7 Electric motor	<p>FUTURE JETm-ST: single-phase 230 V - 50 Hz with winding integrated thermal motor protection</p> <p>FUTURE JET-ST: three-phase 230/400 V - 50 Hz</p> <p>※ Pumps are equipped with high-efficiency motors (IEC 60034-30-1) class IE2 for single-phase models class IE3 for three-phase models</p> <ul style="list-style-type: none"> – Continuous running duty S1 – Insulation: CLASS F – Protection rating: IP X4 			



EXAMPLES OF INSTALLATION

