



Dirty water



Domestic use



Civil use



※ Innovative pumps:
high performance,
quality, and durability

PERFORMANCE RANGE

- Flow rate up to **400 l/min** (24 m³/h)
- Head up to **13 m**

INSTALLATION AND USE

ZXm 2 pumps are designed for sewage drainage in **domestic and civil settings**.

- ※ Featuring a **VORTEX** impeller, these pumps efficiently handle solids up to **40 mm** in diameter, with a unique design that prevents clogging.

INCLUDES

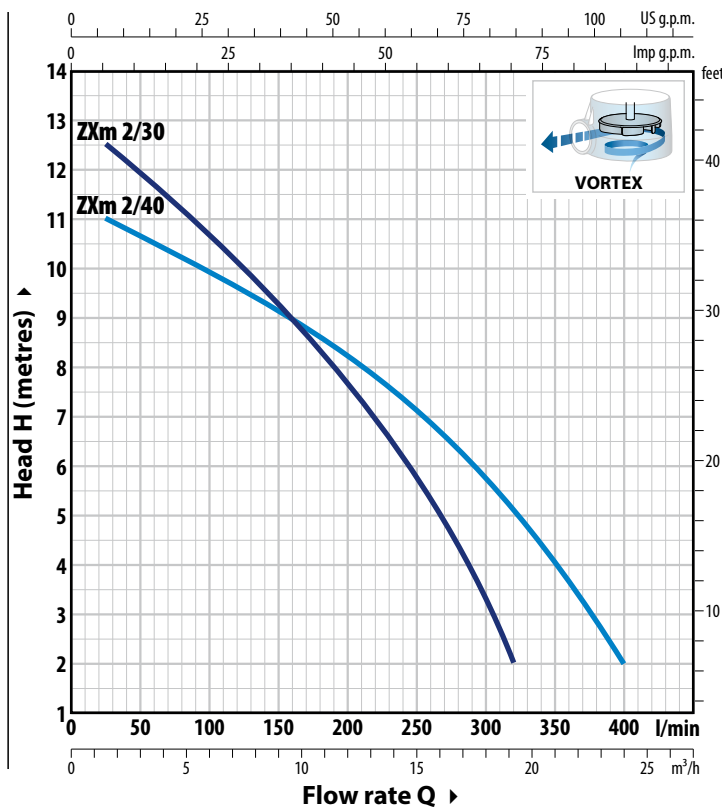
- ※ **5 m** power cable
- ※ Float switch
- ※ Hose connector **Ø 50 mm**

APPLICATION LIMITS

- Maximum operating depth below water level up to **5 m** (with an appropriately sized power cable)
- Liquid temperature up to **+40 °C**
- Suspended solids transfer:
 - up to **Ø 30 mm** for ZXm 2/30
 - up to **Ø 40 mm** for ZXm 2/40
- **Minimum immersion for continuous service:**
 - **265 mm** for ZXm 2/30
 - **275 mm** for ZXm 2/40

CURVES AND PERFORMANCE DATA

50 Hz



AVAILABLE UPON REQUEST

- ※ Pumps with **10 m** power cable
- ※ Different voltage requirements 60 Hz frequency

PATENTS - TRADE MARKS - MODELS

- Patent No. EP2313658
- Patent No. IT0001428923

ABSORPTION

TYPE	VOLTAGE
Single-phase	230 V
ZXm 2/30	4.0 A
ZXm 2/40	4.0 A

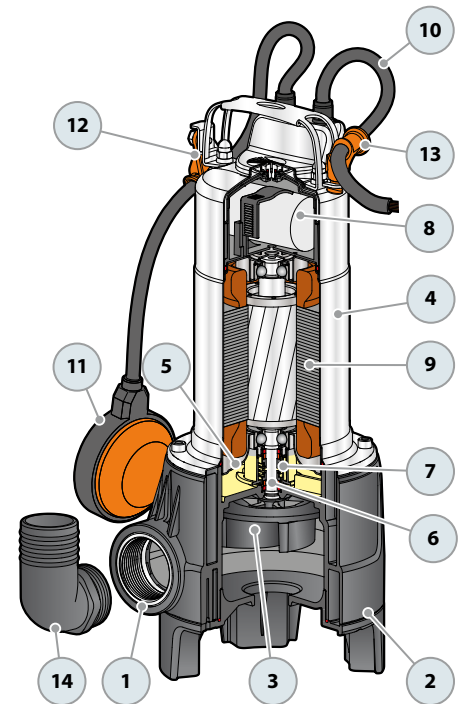
TYPE	POWER (P ₂)		Q	Flow rate													
	kW	HP		m ³ /h	0	1.5	3	6	9	12	15	18	19.2	21	24		
Single-phase			l/min	0	25	50	100	150	200	250	300	320	350	400			
ZXm 2/30	0.55	0.75	H metres	13	12.5	11.8	10.6	9.3	7.6	5.8	3.3	2					
ZXm 2/40	0.55	0.75		11.5	11	10.6	9.8	9.2	8.2	7.2	5.7	5.2	4	2			

Q = Flow rate H = Total manometric head

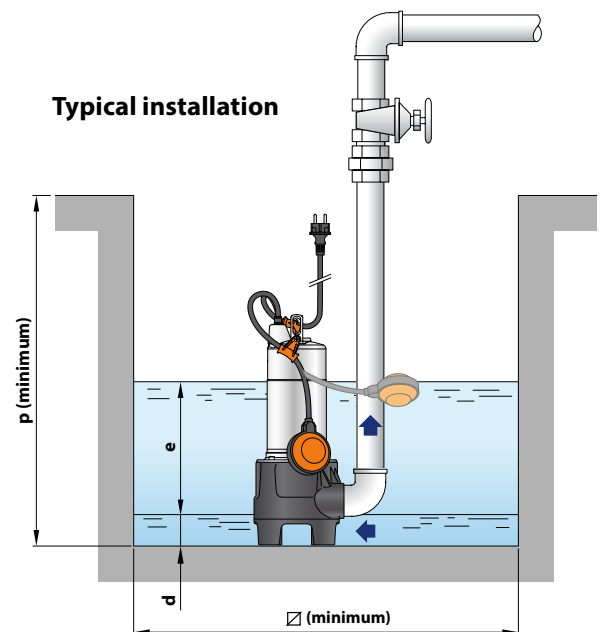
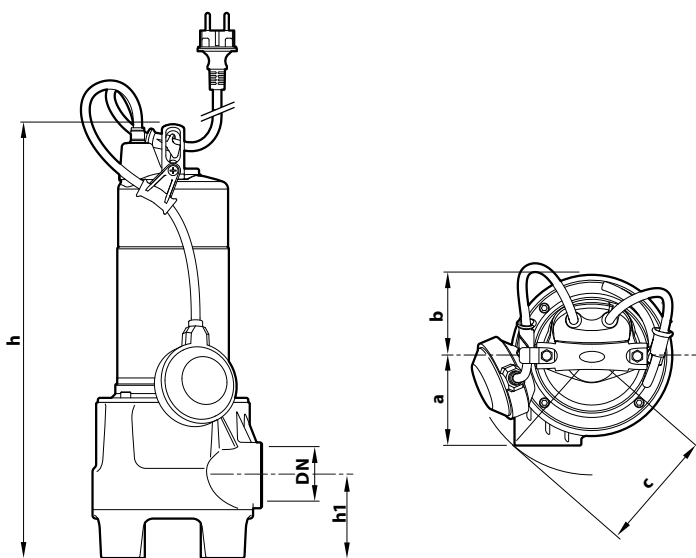
Performance curves comply with EN ISO 9906 Grade 3B tolerance limits.

MATERIALS AND COMPONENTS

1 Pump body	Fibreglass-filled technopolymer with ISO 228/1 threaded delivery port (5-year warranty)		
2 Base	Glass-fibre reinforced technopolymer		
3 Impeller	VORTEX type made of glass-fibre reinforced technopolymer		
4 Motor sleeve	Stainless steel AISI 304		
5 Motor cover	Stainless steel AISI 304		
6 Motor shaft	Stainless steel AISI 431		
7 Double mechanical seal with interposed oil chamber			
Seal	Shaft	Location	Materials
MG1-14D SIC	\varnothing 14 mm	Motor side	SiC / Graphite / NBR
		Pump side	SiC / SiC / NBR
8 Capacitor			
9 Electric motor	Single-phase 230 V - 50 Hz with winding integrated thermal motor protection - Insulation: class F - Protection rating: IP X8		
10 Power cord	Type 'H07 RN-F' with Schuko plug ※ Standard length 5 metres		
11 Float switch			
12 Tilting device for the float cable	Patent No. IT0001428923		
13 Power cable strain relief	Patent No. EP2313658		
14 Hose connector \varnothing 50 mm (included in delivery)			



DIMENSIONS AND WEIGHT



TYPE	PORT DN	Passage of solid bodies	DIMENSIONS mm									kg 1~	PALLET CAPACITY
			a	b	c	h	h1	d	e	p	Ø		
Single-phase	1½"	Ø 30 mm	90	81	118	412	73	50	adjustable	500	500	10.8	54
ZXm 2/30		422				83	10.8						
ZXm 2/40		Ø 40 mm										10.8	54