



Dirty water



Domestic use



PERFORMANCE RANGE

- Flow rate up to **400 l/min** (24 m³/h)
- Head up to **11 m**

INSTALLATION AND USE

ZXm 1 pump is designed for **dirty water** and sewage drainage in **domestic settings**, capable of handling suspended solids up to **40 mm in diameter**. It's easy to operate and reliable in automated fixed installations.

INCLUDES

- ✳ **5 m** power cable
- ✳ Float switch

APPLICATION LIMITS

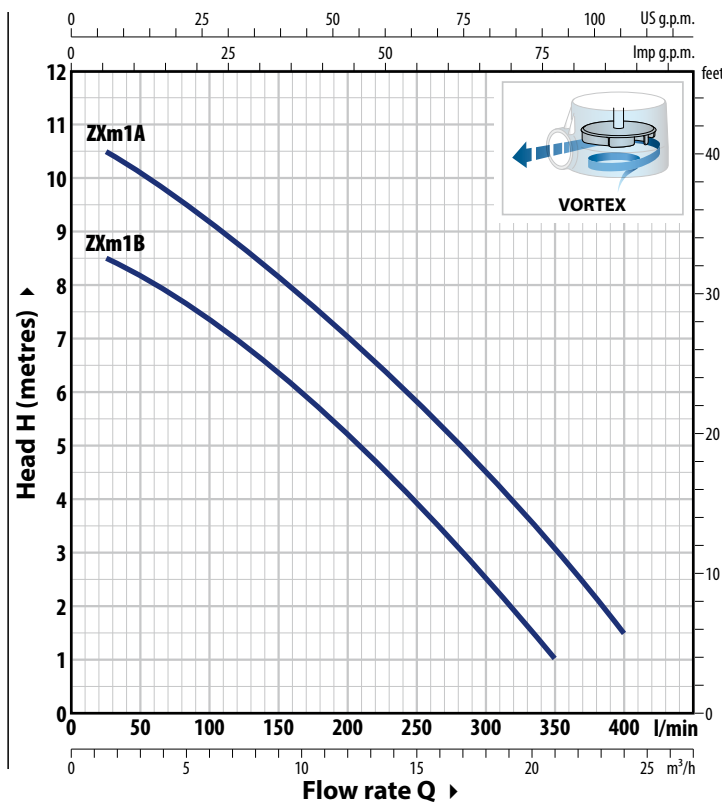
- Depth below water level up to **5 m** (with an appropriately sized power cable)
- Liquid temperature up to **+40 °C**
- Capable of processing suspended solids up to **Ø 40 mm**
- Draining capability up to **50 mm** from the bottom
- **Minimum immersion for continuous service: 240 mm**

AVAILABLE UPON REQUEST

- ✳ Pumps with **10 m** power cable.
- ✳ Different voltage requirements 60 Hz frequency

CURVES AND PERFORMANCE DATA

50 Hz



ABSORPTION

TYPE	VOLTAGE
Single-phase	230 V
ZXm 1B/40	3.3 A
ZXm 1A/40	4.5 A

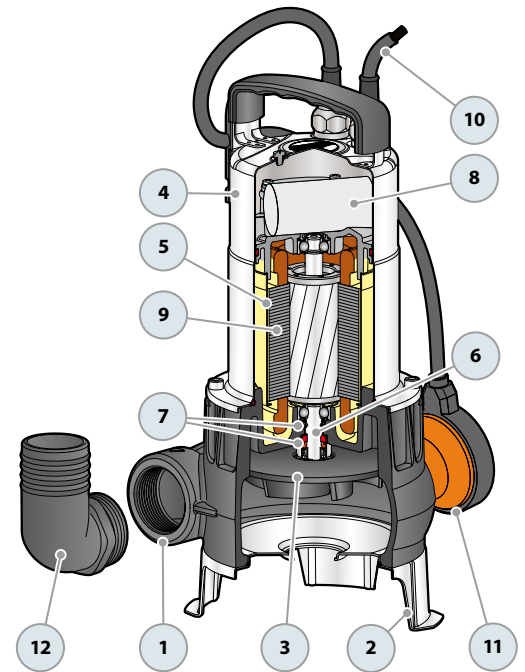
TYPE	POWER (P ₂)		Q	Flow rate												
	kW	HP		m ³ /h	0	1.5	3.0	4.5	6.0	9.0	12.0	15.0	18.0	21.0	24.0	
Single-phase			l/min	0	25	50	75	100	150	200	250	300	350	400		
ZXm 1B/40	0.50	0.70	H metres	9	8.5	8.3	8	7.5	6.5	5.2	4	2.5	1			
ZXm 1A/40	0.60	0.85		11	10.5	10	9.5	9.2	8.2	7	5.7	4.3	2.8	1.5		

Q = Flow rate H = Total manometric head

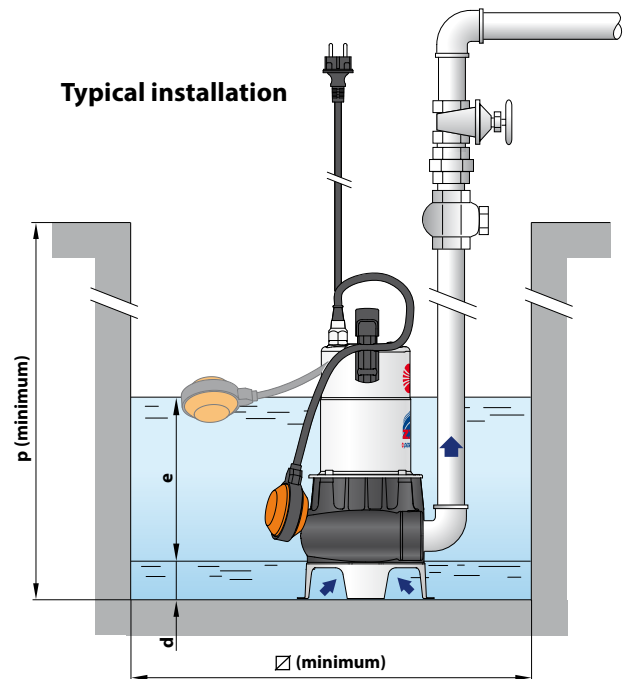
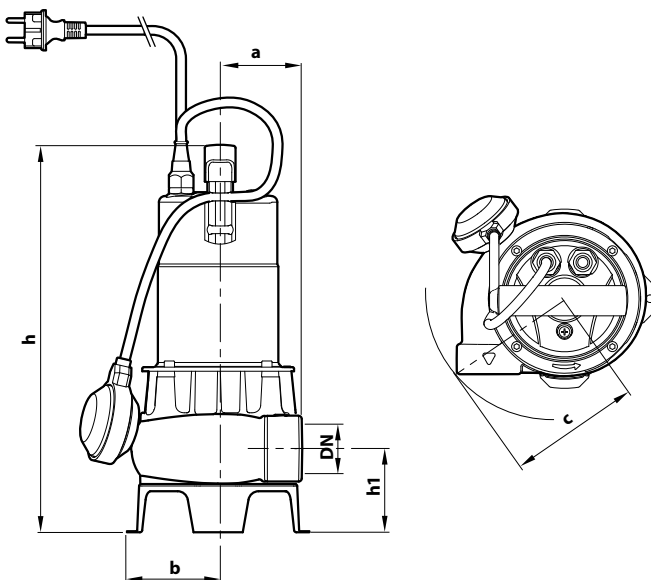
Performance curves comply with EN ISO 9906 Grade 3B tolerance limits.

MATERIALS AND COMPONENTS

1 Pump body	Cast iron with ISO 228/1 threaded port	
2 Base	Stainless steel AISI 304	
3 Impeller	VORTEX technopolymer type	
4 Outer sleeve	Stainless steel AISI 304	
5 Motor sleeve	Steel	
6 Motor shaft	Stainless steel AISI 431	
7 Double shaft seal		
Seal	Shaft	Materials
STA-12R	Ø 12 mm	Ceramic / Graphite / NBR
Sealing ring	Ø 12 x Ø 22 x H 6 mm	
8 Capacitor		
9 Electric motor		
Single-phase 230 V - 50 Hz with winding integrated thermal motor protection		
– Insulation: class F		
– Protection rating: IP X8		
10 Power cord		
Type 'H07 RN-F' with Schuko plug		
※ Standard length 5 metres		
11 Float switch		
12 Hose holder (included in delivery)		
Ø 50 mm		



DIMENSIONS AND WEIGHT



TYPE	PORT DN	Passage of solid bodies	DIMENSIONS mm									kg 1~	PALLET CAPACITY
			a	b	c	h	h1	d	e	p	∅		
Single-phase													
ZXm 1B/40	1½"	Ø 40 mm	75	89	130	378	82	50	adjustable	450	450	11.6	60
ZXm 1A/40			75	89	130	378	82	50	adjustable	450	450	12.0	60