

-  Sewage
-  Domestic use
-  Civil use
-  Industrial use

※ **Powerful and robust high-efficiency pumps made entirely of stainless steel**



※ **VX-ST constructed entirely from stainless steel, VX-ST submersible pumps offer superior corrosion and abrasion.**

### PERFORMANCE RANGE

- Flow rate up to **700 l/min** (42 m<sup>3</sup>/h)
- Head up to **17 m**

### INSTALLATION AND USE

**VX-ST** stainless steel submersible pumps are designed for sewage drainage in **domestic, civil, and industrial** settings where suspended solids are present in the water, such as sludge-mixed water, groundwater, or surface water.

They are also perfect for pumping out flooded areas like basements, underground parking garages, car wash stations, and emptying septic tanks and sewage systems.

- ※ The hydraulic configuration of the **VORTEX** volute and impeller results from advanced fluid dynamics calculations, delivering superior performance and efficiency for notable energy savings.
- ※ The **VORTEX** impeller can handle solids up to **50 mm** in diameter. Its unique design ensures safe operation against clogging.

### INCLUDES

- ※ Power cable length **10 m**
- ※ Float switch (exclusive to single-phase models)

### APPLICATION LIMITS

- Depth below water level up to **5 m** (with an appropriately sized power cable)
- Liquid temperature up to **+40 °C**
- Suspended solids transfer:
  - up to **Ø 40 mm** for VX /35-ST
  - up to **Ø 50 mm** for VX /50-ST
- **Minimum immersion for continuous service:**
  - **290 mm** for VX 8-ST and VX 10-ST
  - **330 mm** for VX 15-ST
  - **360 mm** for VX 20-ST

### AVAILABLE UPON REQUEST

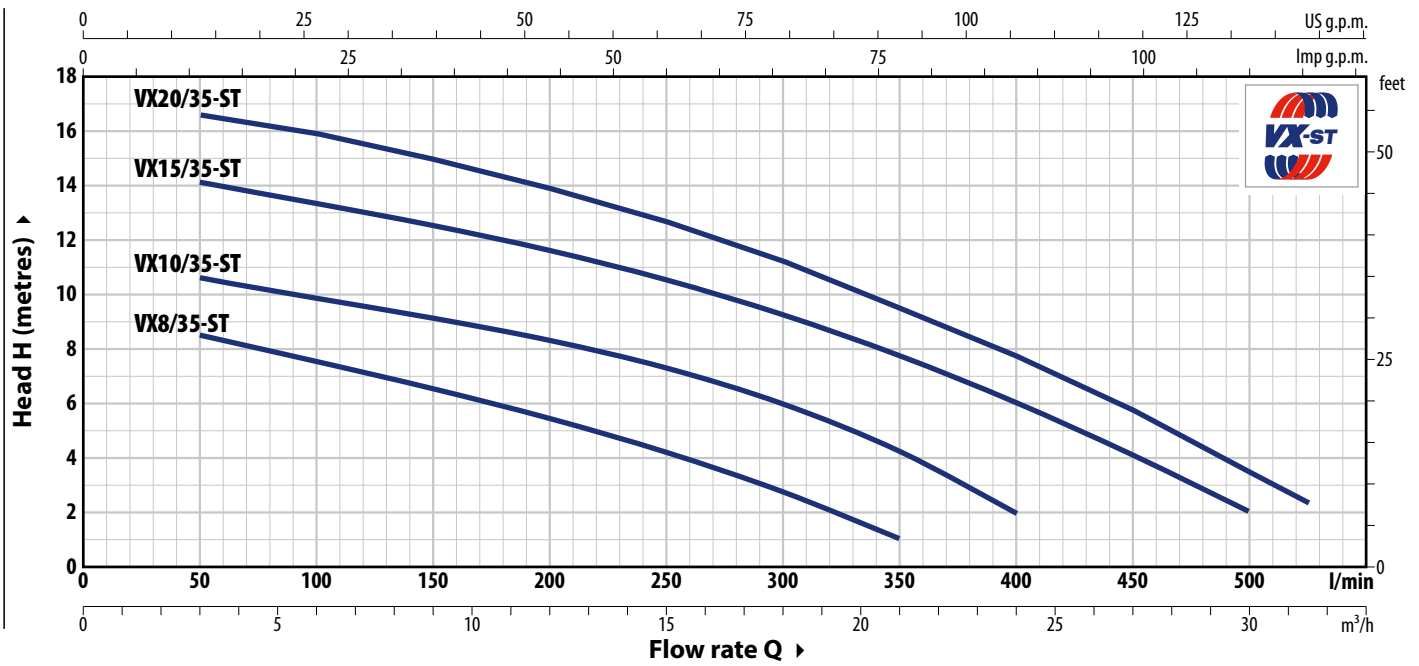
- ※ AISI 316L stainless steel pump shaft
- ※ Different voltage requirements 60 Hz frequency

### PATENTS - TRADE MARKS - MODELS

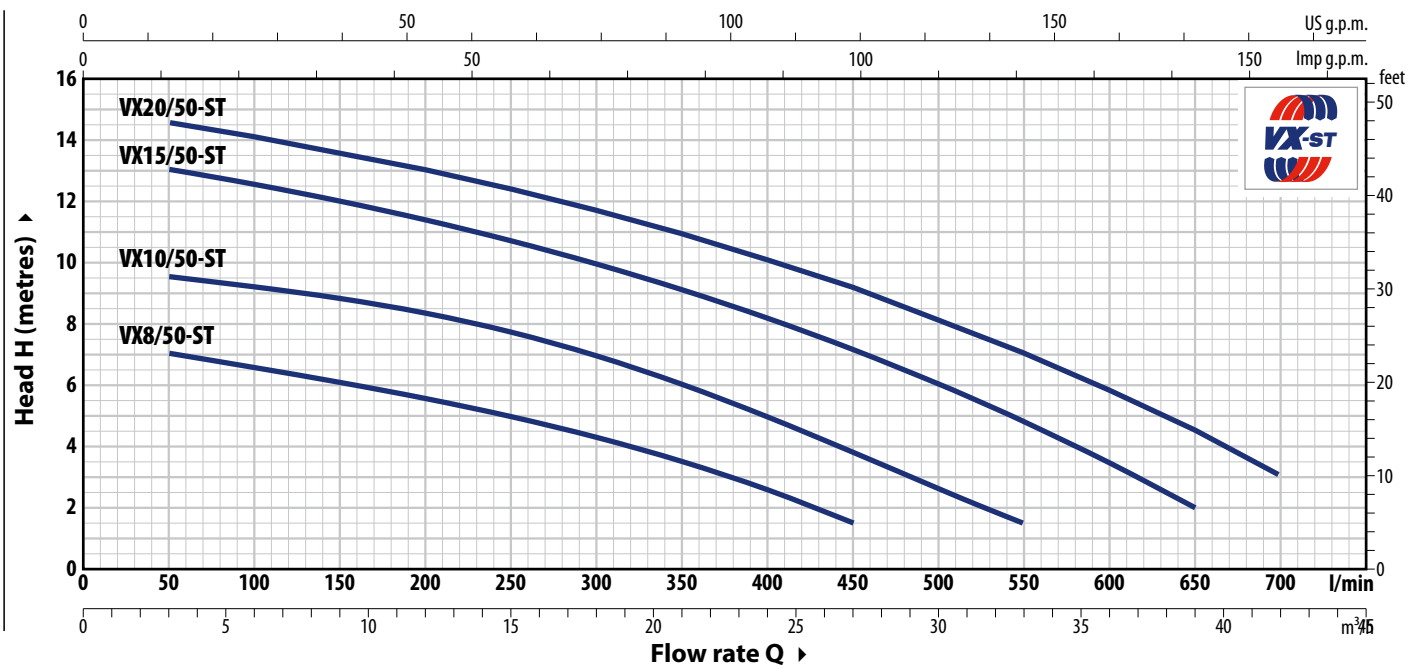
- Patent No. EP2313658
- Patent No. IT0001428923

## CURVES AND PERFORMANCE DATA

50 Hz



TYPE		POWER (P <sub>2</sub> )		Q	H metres																							
Single-phase	Three-phase	kW	HP		m <sup>3</sup> /h	0	3	6	12	18	21	24	27	30	31.5	l/min	0	50	100	200	300	350	400	450	500	525		
VXm 8/35 -ST	VX 8/35 -ST	0.55	0.75	H metres	9.5	8.5	7.5	5.4	2.7	1																		
VXm 10/35-ST	VX 10/35-ST	0.75	1		11.5	10.5	10	8.3	6	4	2																	
VXm 15/35-ST	VX 15/35-ST	1.1	1.5		15	14	13.5	11.7	9.2	7.7	6	4	2															
VXm 20/35-ST	VX 20/35-ST	1.5	2		17	16.5	16	14	11	9.5	7.7	5.7	3.5	2.5														



TYPE		POWER (P <sub>2</sub> )		Q	H metres																								
Single-phase	Three-phase	kW	HP		m <sup>3</sup> /h	0	3	6	12	18	24	27	30	33	36	39	42	l/min	0	50	100	200	300	400	450	500	550	600	650
VXm 8/50 -ST	VX 8/50 -ST	0.55	0.75	H metres	7.5	7	6.6	5.7	4.2	2.5	1.5																		
VXm 10/50-ST	VX 10/50-ST	0.75	1		10	9.5	9.2	8.5	7	5	3.8	2.7	1.5																
VXm 15/50-ST	VX 15/50-ST	1.1	1.5		13.5	13	12.5	11.5	10	8	7	6	4.7	3.3	2														
VXm 20/50-ST	VX 20/50-ST	1.5	2		15	14.5	14	13	11.7	10	9	8.2	7	5.8	4.5	3													

Q = Flow rate H = Total manometric head

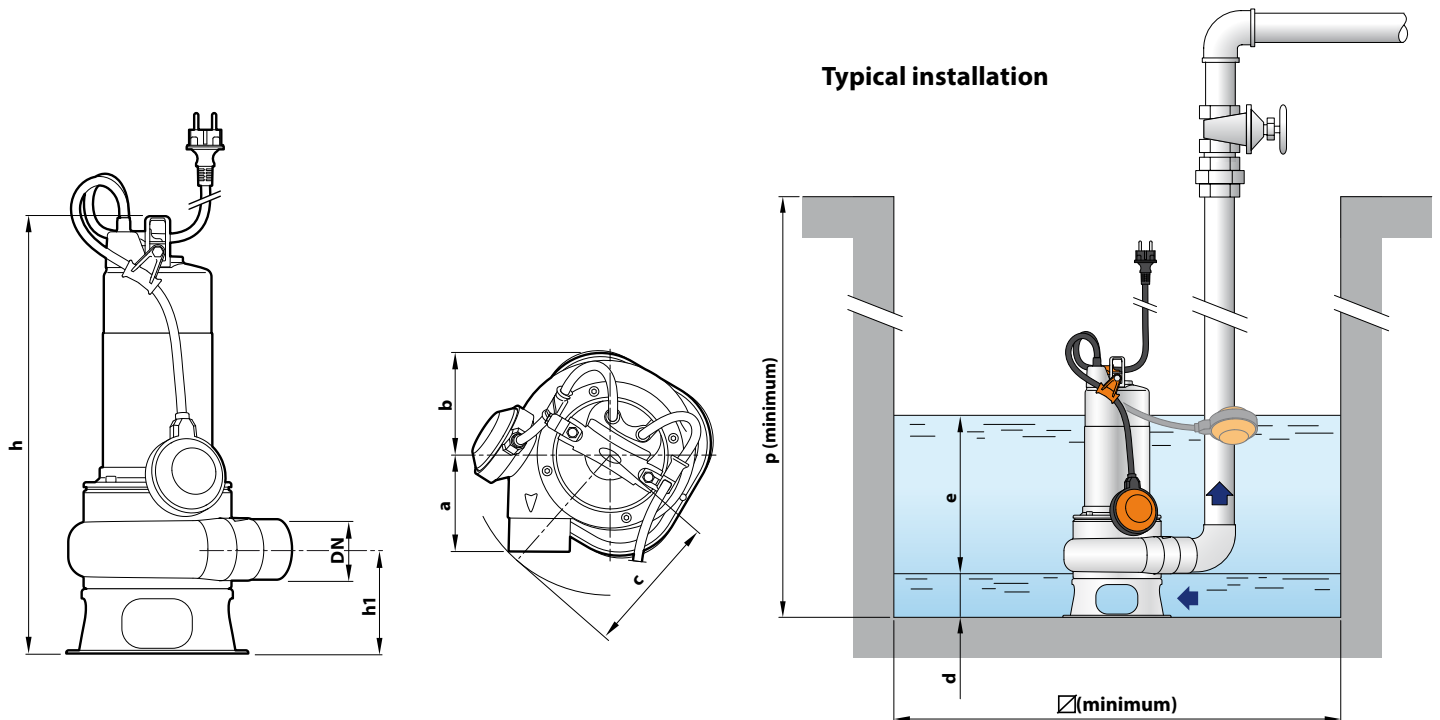
Performance curves comply with EN ISO 9906 Grade 3B tolerance limits.

### ABSORPTION

TYPE	VOLTAGE
<b>Single-phase</b>	<b>230 V</b>
VXm 8/35 -ST	4.3 A
VXm 10/35 -ST	5.5 A
VXm 15/35 -ST	7.0 A
VXm 20/35 -ST	9.6 A
VXm 8/50 -ST	4.3 A
VXm 10/50 -ST	5.5 A
VXm 15/50 -ST	7.0 A
VXm 20/50 -ST	9.6 A

TYPE	VOLTAGE
<b>Three-phase</b>	<b>400 V</b>
VX 8/35 -ST	1.6 A
VX 10/35 -ST	2.2 A
VX 15/35 -ST	2.7 A
VX 20/35 -ST	3.7 A
VX 8/50 -ST	1.6 A
VX 10/50 -ST	2.2 A
VX 15/50 -ST	2.7 A
VX 20/50 -ST	3.7 A

### DIMENSIONS AND WEIGHT



TYPE		PORT DN	Passage of solid bodies	DIMENSIONS mm										kg	
Single-phase	Three-phase			a	b	c	h	h1	d	e	p	∅	1~	3~	
VXm 8/35 -ST	VX 8/35 -ST	1½"	∅ 40 mm	95	96	140	424	106	55	adjustable	500	500	11.2	10.1	
VXm 10/35 -ST	VX 10/35 -ST						439						12.7	11.5	
VXm 15/35 -ST	VX 15/35 -ST						472						15.5	13.9	
VXm 20/35 -ST	VX 20/35 -ST						502						17.7	15.5	
VXm 8/50 -ST	VX 8/50 -ST	2"	∅ 50 mm	102	96	145	435	107	60	adjustable	500	500	11.4	10.3	
VXm 10/50 -ST	VX 10/50 -ST						450						12.9	11.7	
VXm 15/50 -ST	VX 15/50 -ST						483						15.7	14.1	
VXm 20/50 -ST	VX 20/50 -ST						513						17.9	15.7	

### PALLET CAPACITY

TYPE		NO. OF PUMPS
Single-phase	Three-phase	
VXm 8/35 -ST	VX 8/35 -ST	45
VXm 10/35 -ST	VX 10/35 -ST	45
VXm 15/35 -ST	VX 15/35 -ST	30
VXm 20/35 -ST	VX 20/35 -ST	30
VXm 8/50 -ST	VX 8/50 -ST	45
VXm 10/50 -ST	VX 10/50 -ST	45
VXm 15/50 -ST	VX 15/50 -ST	30
VXm 20/50 -ST	VX 20/50 -ST	30

## MATERIALS AND COMPONENTS

<b>1 Pump body</b>	<b>AISI 304</b> stainless steel with ISO 228/1 threaded port
<b>2 Base</b>	Stainless steel <b>AISI 304</b>
<b>3 Impeller</b>	VORTEX type in <b>AISI 304</b> stainless steel
<b>4 Motor sleeve</b>	Stainless steel <b>AISI 304</b>
<b>5 Motor cover</b>	Stainless steel <b>AISI 304</b> Cast iron with cathoresis treatment for VX 15-20 ST
<b>6 Motor shaft</b>	Stainless steel <b>AISI 431</b>

### 7 Double mechanical seal in oil chamber

Seal	Shaft	Location	Materials
<b>MG1-14D SIC</b>	Ø 14 mm	Motor side	Silicon carbide / Graphite / NBR
		Pump side	Silicon carbide/Silicon carbide/NBR

### 8 Capacitor (exclusive to single-phase models)

### 9 Electric motor

**VXm-ST:** single-phase 230 V - 50 Hz with winding integrated thermal motor protection

**VX-ST:** three-phase 400 V - 50 Hz

– Insulation: class F

– Protection rating: IP X8

### 10 Power cord

Power cable encapsulated with epoxy resin both in the grommet area and where the conductors exit the sheath, for absolute insulation against moisture and water.

Type 'H07 RN-F' (Schuko plug exclusive to single-phase models)

※ Standard length 10 metres

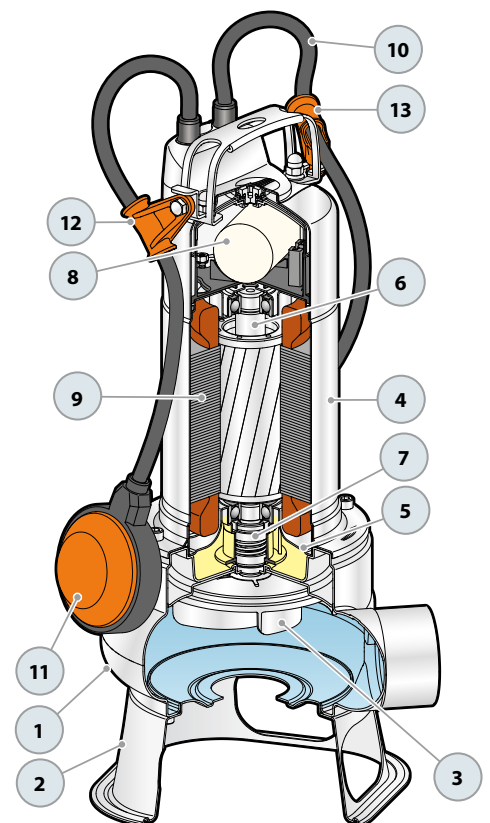
### 11 Float switch (exclusive to single-phase models)

### 12 Tilting device for the float cable (exclusive to single-phase models)

Patent No. IT0001428923

### 13 Power cable strain relief

Patent No. EP2313658



# SEWAGE LIFTING SYSTEM KIT VX-ST - BC-ST

## VERSION WITH HORIZONTAL DELIVERY AND 3/4" GUIDE PIPES

For <b>VX /35-ST</b>	CODE ASSPVX35ST	DN 2"
For <b>VX /50-ST , BC /50-ST</b>	CODE ASSPVX50ST	DN 2"

※ Kit consisting of:



Coupling foot



Solids rail with ring nut and seal



Support for guide tubes



## VERSION WITH VERTICAL DELIVERY AND 3/4" GUIDE PIPES

For <b>VX /35-ST</b>	CODE ASSPVX35STV	DN 2½"
For <b>VX /50-ST, BC /50-ST</b>	CODE ASSPVX50STV	DN 2½"

※ Kit consisting of:



Coupling foot complete with counterflange



Solids rail with ring nut and seal



Support for guide tubes



## ● ACCESSORIES AVAILABLE FOR ORDER

### RUNNING GUIDE

※ For <b>VX /35-ST</b>	CODE ASSFL005
※ For <b>VX /50-ST , BC /50-ST</b>	CODE ASSFL006

Complete with ring nut and gasket



### GUIDE TUBE SUPPORT

※ For Ø 3/4 " guide tubes	CODE 859SV340INTFA
---------------------------	--------------------

To ensure stability, insert a support every 2 metres along the guide tube

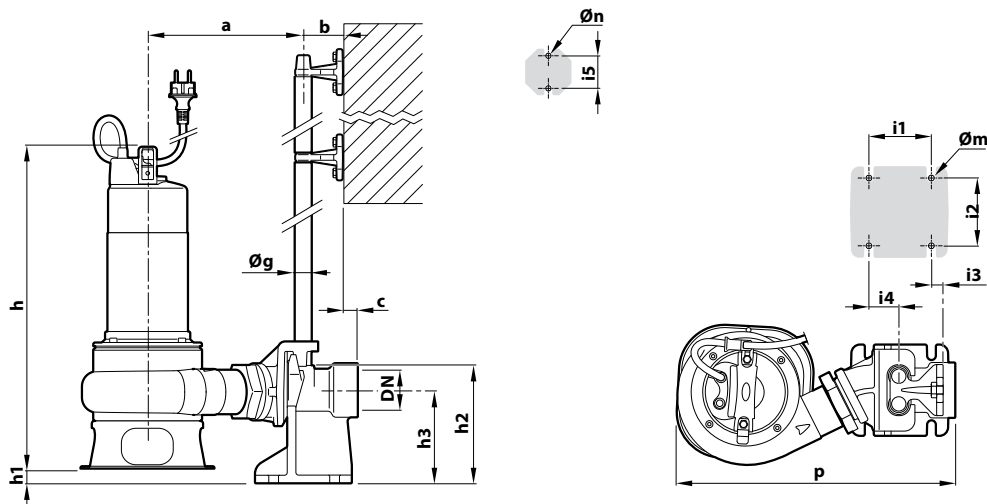


### GUIDE TUBE (AISI 304 stainless steel)

※ 2 metres Ø 3/4" guide tube	CODE 54SARTG0052F
※ 3 metres Ø 3/4" guide tube	CODE 54SARTG0053F
※ 6 metres Ø 3/4" guide tube	CODE 54SARTG0056F

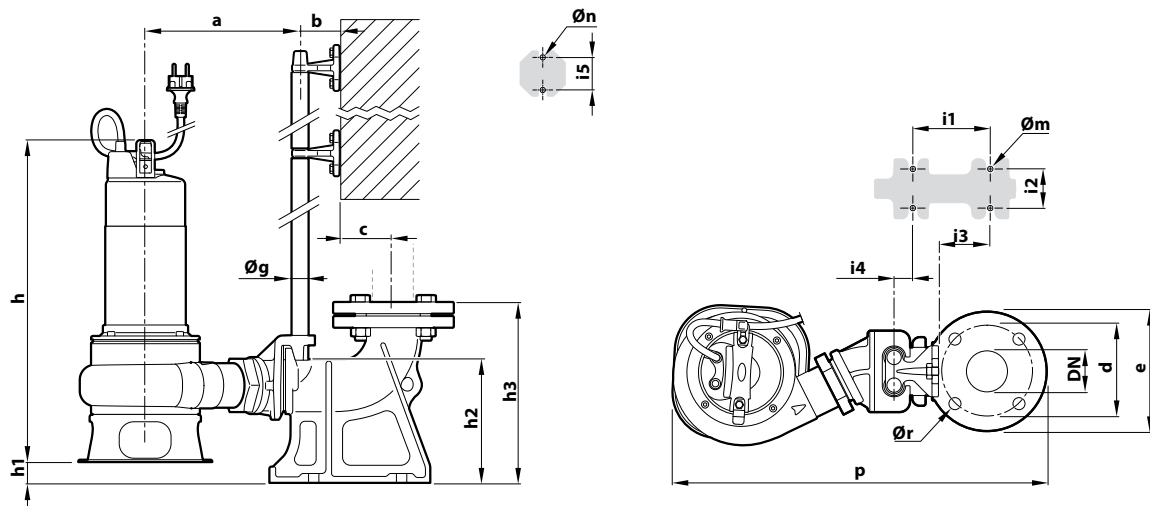


### DIMENSIONS (Version with horizontal outlet)



TYPE		Passage of solid bodies mm	PORT DN	DIMENSIONS mm															
Single-ph.	Three-ph.			a	b	c	p	h	h1	h2	h3	i1	i2	i3	i4	i5	Øg	Øm	Øn
VXm 8/35 -ST	VX 8/35 -ST	40	2"	214			386	424	24										
VXm 10/35 -ST	VX 10/35 -ST							439											
VXm 15/35 -ST	VX 15/35 -ST							472											
VXm 20/35 -ST	VX 20/35 -ST							502											
VXm 8/50 -ST	VX 8/50 -ST	50	2"	221	61	17	372	435	23	165	130	85	94	16	40	50	¾"	12	11
VXm 10/50 -ST	VX 10/50 -ST							450											
VXm 15/50 -ST	VX 15/50 -ST							483											
VXm 20/50 -ST	VX 20/50 -ST							513											
BCm 10/50 -ST	BC 10/50 -ST	50	2"					450											
BCm 15/50 -ST	BC 15/50 -ST							483											
BCm 20/50 -ST	BC 20/50 -ST							513											

### DIMENSIONS (Version with vertical delivery)



TYPE		Passage of solid bodies mm	PORT DN	DIMENSIONS mm																		
Single-ph.	Three-ph.			a	b	c	d	e	p	h	h1	h2	h3	i1	i2	i3	i4	i5	Øg	Øm	Øn	Ør
VXm 8/35 -ST	VX 8/35 -ST	40	2½"	207					495	22												
VXm 10/35 -ST	VX 10/35 -ST																				439	
VXm 15/35 -ST	VX 15/35 -ST																				472	
VXm 20/35 -ST	VX 20/35 -ST																				502	
VXm 8/50 -ST	VX 8/50 -ST	50	2½"	212	61	52	125	165	501	26	164	215	120	72	62	3	50	¾"	14	11	18	
VXm 10/50 -ST	VX 10/50 -ST																					435
VXm 15/50 -ST	VX 15/50 -ST																					450
VXm 20/50 -ST	VX 20/50 -ST																					483
BCm 10/50 -ST	BC 10/50 -ST	50	2½"																			
BCm 15/50 -ST	BC 15/50 -ST																				450	
BCm 20/50 -ST	BC 20/50 -ST																				483	