



Sewage



Domestic use



Civil use

※ **High-quality materials and robust construction ensure superior performance and reliability**



PERFORMANCE RANGE

- Flow rate up to **650 l/min** (39 m³/h)
- Head up to **14 m**

INSTALLATION AND USE

The **VXC** series features **VORTEX**-type impellers, offering robust and reliable performance for demanding applications. Constructed from thick cast iron, these pumps are exceptionally strong and resistant to abrasion, ensuring continuous operation.

They are perfectly suited for draining **dirty water with suspended solids and sewage, wastewater, and sludge mixtures**.

INCLUDES

- ※ Power cable length **10 m**
- ※ Float switch (exclusive to single-phase models)

APPLICATION LIMITS

- Depth below water level up to **10 m** (with an appropriately sized power cable)
- Liquid temperature up to **+40 °C**
- Suspended solids transfer:
 - up to **Ø 40 mm** for VXC /35
 - up to **Ø 50 mm** for VXC /45
- **Minimum immersion for continuous service 305 mm**

AVAILABLE UPON REQUEST

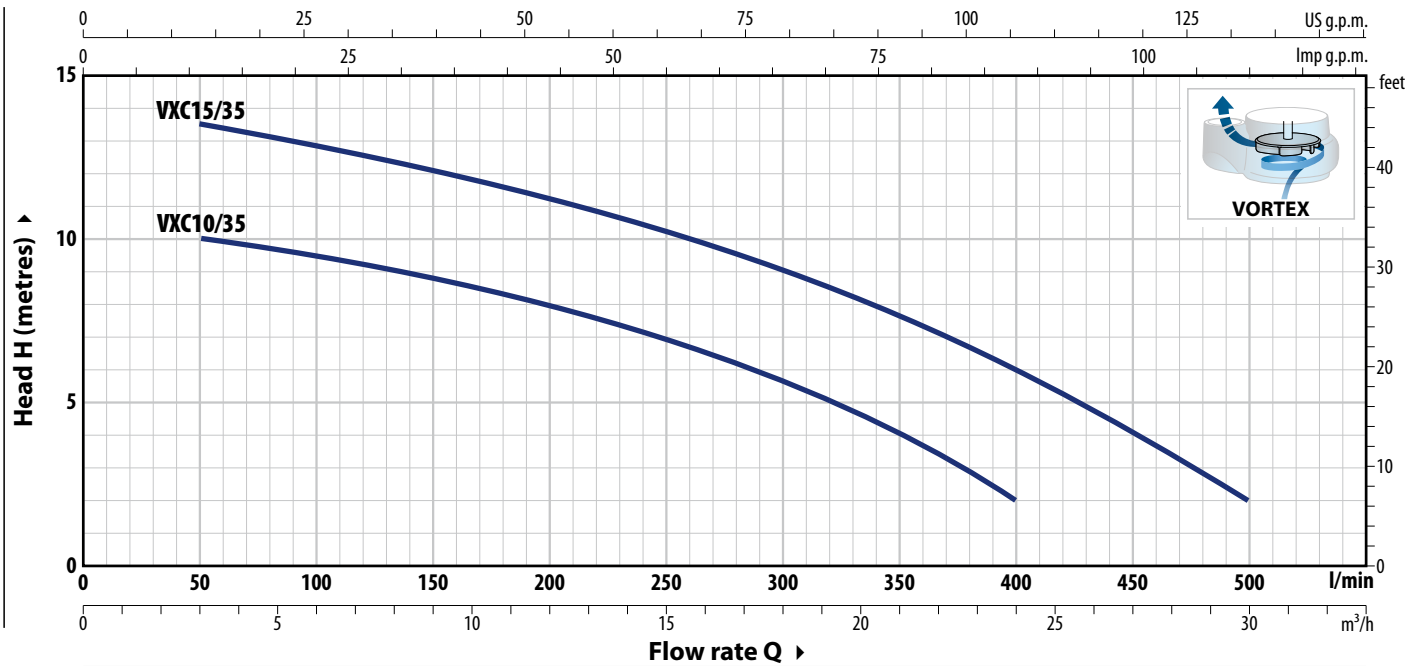
- ※ Different voltage requirements 60 Hz frequency

PATENTS - TRADE MARKS - MODELS

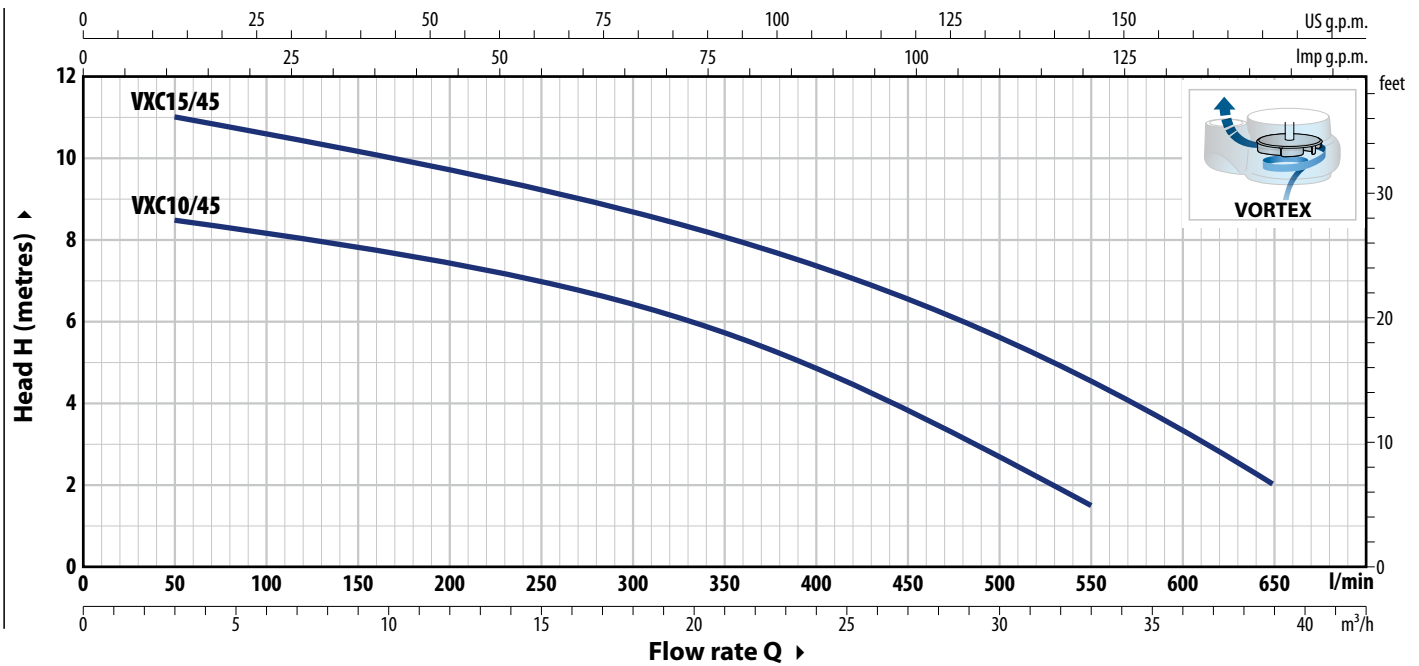
- Patent No. IT0001428923
- Registered Community Model No. 002501486-0003

CURVES AND PERFORMANCE DATA

50 Hz



TYPE		POWER (P ₂)		Q	m ³ /h									
Single-phase	Three-phase	kW	HP		0	3	6	12	18	21	24	27	30	
VXCm 10/35	VXC 10/35	0.75	1	H metres	11	10	9.5	8	5.7	4	2			
VXCm 15/35	VXC 15/35	1.1	1.5	H metres	14	13.5	12.8	11.2	9	7.7	6	4	2	



TYPE		POWER (P ₂)		Q	m ³ /h										
Single-phase	Three-phase	kW	HP		0	3	6	12	18	24	27	30	33	36	39
VXCm 10/45	VXC 10/45	0.75	1	H metres	9	8.5	8.2	7.5	6.5	5	3.8	2.5	1.5		
VXCm 15/45	VXC 15/45	1.1	1.5	H metres	11.5	11	10.5	9.8	8.7	7.5	6.5	5.5	4.5	3.5	2

Q = Flow rate H = Total manometric head

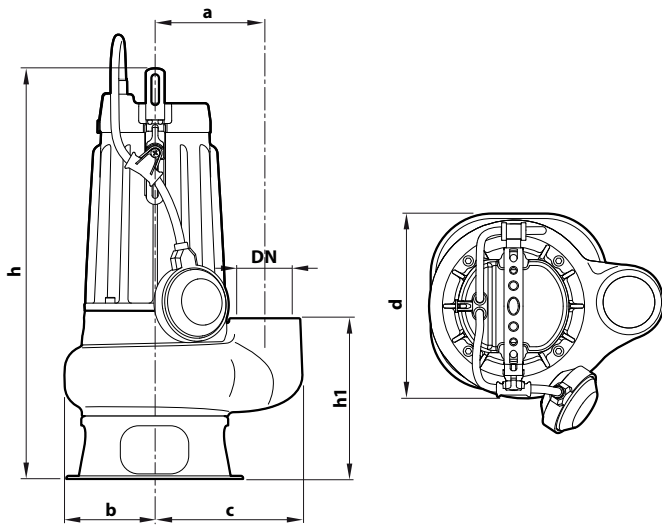
Performance curves comply with EN ISO 9906 Grade 3B tolerance limits.

ABSORPTION

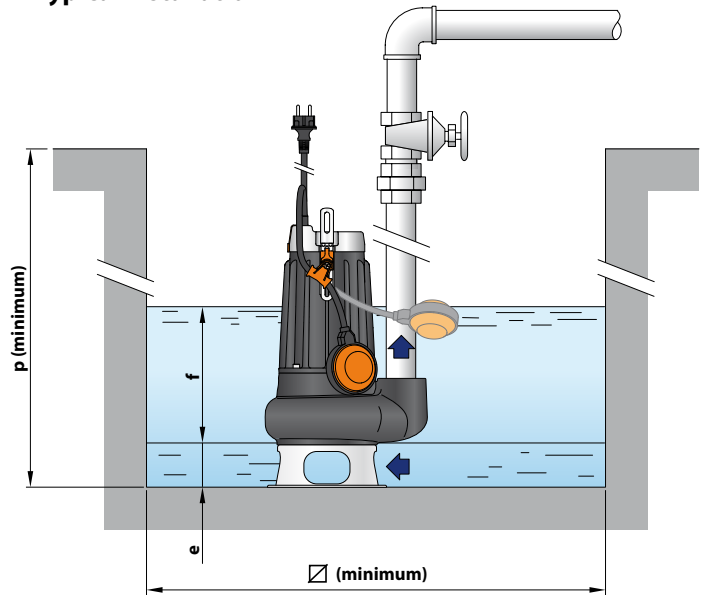
TYPE	VOLTAGE
Single-phase	230 V
VXCm 10/35	5.5 A
VXCm 15/35	7.4 A
VXCm 10/45	5.5 A
VXCm 15/45	7.4 A

TYPE	VOLTAGE
Three-phase	400 V
VXC 10/35	2.2 A
VXC 15/35	3.0 A
VXC 10/45	2.2 A
VXC 15/45	3.0 A

DIMENSIONS AND WEIGHT



Typical installation



TYPE		PORT DN	Passage of solid bodies	DIMENSIONS mm										kg	
Single-phase	Three-phase			a	b	c	d	h	h1	e	f	p	∅	1~	3~
VXCm 10/35	VXC 10/35	1½"	Ø 40 mm	115	95	148	200	421	158	55	adjustable	500	500	19.6	18.2
VXCm 15/35	VXC 15/35					19.7		18.3							
VXCm 10/45	VXC 10/45	2"	Ø 50 mm			155	434	169	60	20.1				19.0	
VXCm 15/45	VXC 15/45					20.2	19.1								

PALLET CAPACITY

TYPE	NO. OF PUMPS
Three-phase	
VXC 10/35	45
VXC 15/35	45
VXC 10/45	45
VXC 15/45	45

MATERIALS AND COMPONENTS

1 Pump body	Cast iron with cataphoresis treatment for greater corrosion resistance with ISO 228/1 threaded port
2 Base	Stainless steel AISI 304
3 Impeller	VORTEX type in AISI 304 stainless steel
4 Motor holder	Cast iron with cataphoresis treatment
5 Motor cover	Stainless steel AISI 304
6 Motor shaft	Stainless steel AISI 431

7 Double mechanical seal with interposed oil chamber

Seal	Shaft	Location	Materials
MG1-14D SIC	Ø 14 mm	Motor side Pump side	Silicon carbide / Graphite / NBR Silicon carbide/Silicon carbide/NBR

8 Electric motor

- VXCm:** single-phase 230 V - 50 Hz
with winding integrated thermal motor protection
- VXC:** three-phase 400 V - 50Hz
- Insulation: class F
 - Protection rating: IP X8

9 Power cord

- Type 'H07 RN-F
(Schuko plug exclusive to single-phase models)
- ※ Standard length 10 metres

10 Float switch

(exclusive to single-phase models)

11 Tilting device for the float cable

(exclusive to single-phase models)
Patent No. IT0001428923

