



Sewage



Domestic use



Civil use



PERFORMANCE RANGE

- Flow rate up to **750 l/min** (45 m³/h)
- Head up to **15 m**

INSTALLATION AND USE

The **MC** series features **TWO-CHANNEL** impellers, offering **robust** and reliable performance for demanding applications. Constructed from thick cast iron, these pumps are exceptionally strong and resistant to abrasion, ensuring continuous operation.

They are perfectly suited for draining **dirty water with suspended solids, and sewage**.

INCLUDES

- ✳ Power cable length **10 m**
- ✳ Float switch (exclusive to single-phase models)

APPLICATION LIMITS

- Depth below water level up to **10 m** (with an appropriately sized power cable)
- Liquid temperature up to **+40 °C**
- Capable of processing suspended solids up to **Ø 50 mm**
- **Minimum immersion for continuous service: 305 mm**

AVAILABLE UPON REQUEST

- ✳ Different voltage requirements 60 Hz frequency

PATENTS - TRADE MARKS - MODELS

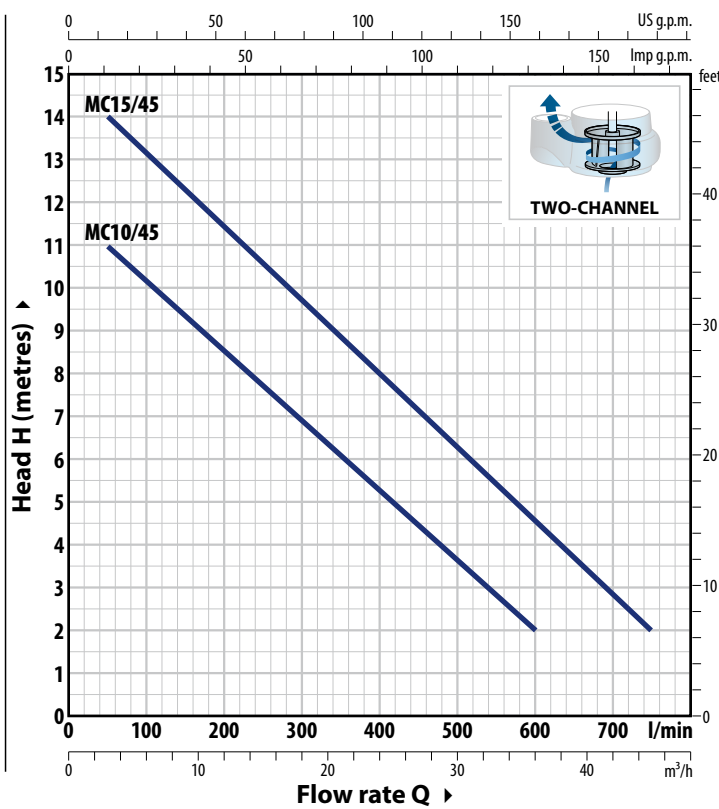
- Patent No. IT0001428923
- Registered Community Model No. 002501486-0003

ABSORPTION

| TYPE | VOLTAGE |
|------------------|--------------|
| Single-phase | 230 V |
| MCm 10/45 | 5.0 A |
| MCm 15/45 | 8.2 A |
| TYPE | VOLTAGE |
| Three-phase | 400 V |
| MC 10/45 | 2.1 A |
| MC 15/45 | 3.2 A |

CURVES AND PERFORMANCE DATA

50 Hz



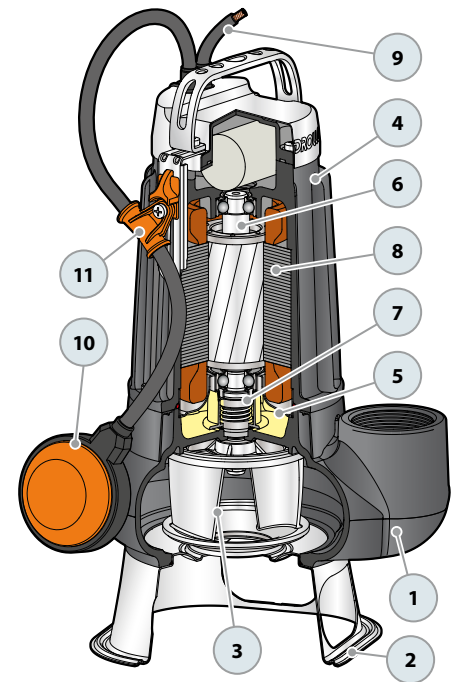
| TYPE | | POWER (P ₂) | | Q | Flow rate | | | | | | | | | | | | | | | | | | | | | |
|------------------|-----------------|-------------------------|-----|----------|-------------------|----|----|------|-----|----|-----|-----|----|----|----|-------|---|----|-----|-----|-----|-----|-----|-----|-----|-----|
| Single-phase | Three-phase | kW | HP | | m ³ /h | 0 | 3 | 6 | 12 | 18 | 24 | 30 | 36 | 42 | 45 | l/min | 0 | 50 | 100 | 200 | 300 | 400 | 500 | 600 | 700 | 750 |
| MCm 10/45 | MC 10/45 | 0.75 | 1 | H metres | 12 | 11 | 10 | 8.5 | 7 | 5 | 3.5 | 2 | | | | | | | | | | | | | | |
| MCm 15/45 | MC 15/45 | 1.1 | 1.5 | | 15 | 14 | 13 | 11.5 | 9.7 | 8 | 6.3 | 4.5 | 3 | 2 | | | | | | | | | | | | |

Q = Flow rate H = Total manometric head

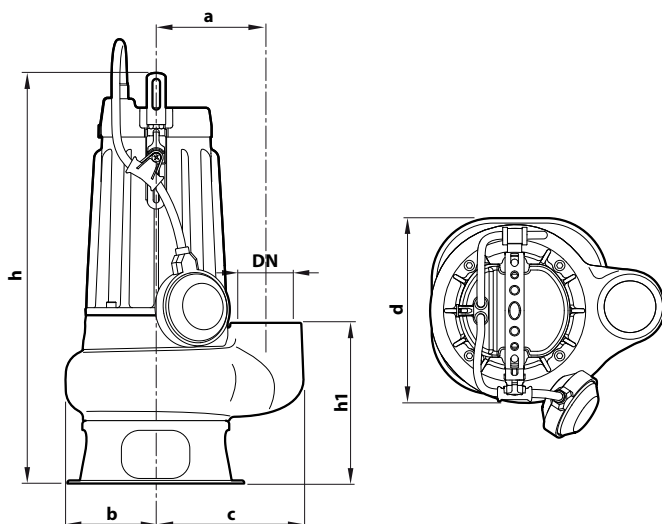
Performance curves comply with EN ISO 9906 Grade 3B tolerance limits.

MATERIALS AND COMPONENTS

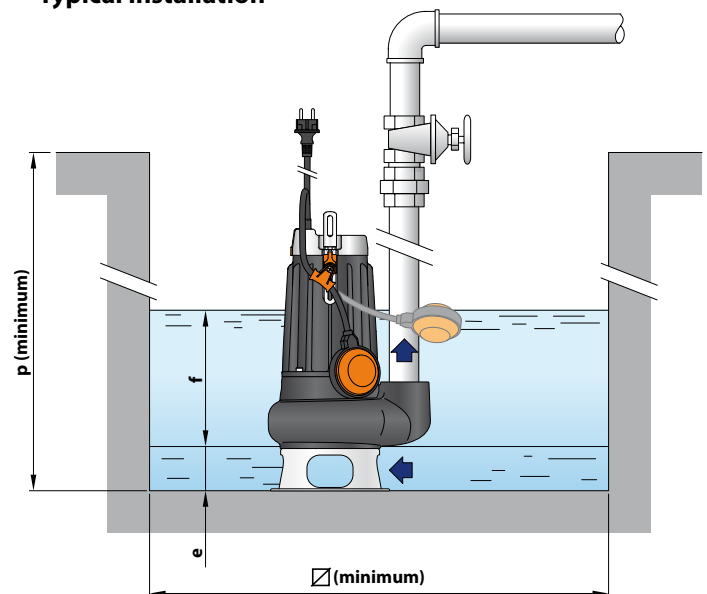
| | | | |
|-------------------------------------------------------------|------------------------------------------------------------------------------------------------------|------------|----------------------|
| 1 Pump body | Cast iron with cathaphoresis treatment for greater corrosion resistance with ISO 228/1 threaded port | | |
| 2 Base | Stainless steel AISI 304 | | |
| 3 Impeller | Two-channel type in micro-cast AISI 304 stainless steel | | |
| 4 Motor holder | Cast iron with cathaphoresis treatment | | |
| 5 Motor cover | Stainless steel AISI 304 | | |
| 6 Motor shaft | Stainless steel AISI 431 | | |
| 7 Double mechanical seal with interposed oil chamber | | | |
| Seal | Shaft | Location | Materials |
| MG1-14D SIC | Ø 14 mm | Motor side | SiC / Graphite / NBR |
| | | Pump side | SiC / SiC / NBR |
| 8 Electric motor | | | |
| MCm : single-phase 230 V - 50 Hz | with winding integrated thermal motor protection | | |
| MC : three-phase 400 V - 50Hz | – Insulation: class F – Protection rating: IP X8 | | |
| 9 Power cord | | | |
| | Type 'H07 RN-F' (Schuko plug exclusive to single-phase models) | | |
| | ※ Standard length 10 metres | | |
| 10 Float switch | (exclusive to single-phase models) | | |
| 11 Tilting device for the float cable | (exclusive to single-phase models) | | |
| | Patent No. IT0001428923 | | |



DIMENSIONS AND WEIGHT



Typical installation



| TYPE | | PORT DN | Passage of solid bodies | DIMENSIONS mm | | | | | | | | | | kg | | PALLET CAPACITY |
|------------------|-----------------|------------|----------------------------|---------------|------|-----|-----|-----|-----|----|------------|-----|-----|------|------|-----------------|
| Single-ph. | Three-ph | | | a | b | c | d | h | h1 | e | f | p | Ø | 1~ | 3~ | |
| MCm 10/45 | MC 10/45 | 2" | Ø 50 mm | 115 | 95 | 155 | 200 | 434 | 169 | 60 | adjustable | 500 | 500 | 19.2 | 17.7 | 45 |
| MCm 15/45 | MC 15/45 | | | 20.1 | 19.3 | 45 | | | | | | | | | | |