



Sewage



Civil use



Industrial use

※ **High-quality materials and robust construction ensure superior performance and reliability**



### PERFORMANCE RANGE

- Flow rate up to **1250 l/min** (75 m<sup>3</sup>/h)
- Head up to **20 m**

### INSTALLATION AND USE

The **VXC** series is constructed from thick cast iron, offering exceptional robustness, abrasion resistance, and longevity. Featuring **VORTEX**-type impellers, these pumps are designed to drain **sewage, wastewater, sludge-mixed water, activated and putrid sludge**.

They are suitable for a wide range of applications, including sewers, tunnels, excavations, canals, and underground parking facilities

### APPLICATION LIMITS

- Depth below water level up to **10 m** (with an appropriately sized power cable)
- Liquid temperature up to **+40 °C**
- Suspended solids transfer:
  - up to **Ø 50 mm** for VXC /50
  - up to **Ø 65 mm** for VXC /65
- **Continuous operation of the pump even when completely uncovered.**

### INCLUDES

- ※ Power cable length **10 m**
- ※ Float switch (exclusive to single-phase models)
- ※ Switchbox compatible with single-phase versions

### AVAILABLE UPON REQUEST

- ※ **QES** control panel for three-phase pumps
- ※ Different voltage requirements 60 Hz frequency

### WARRANTY

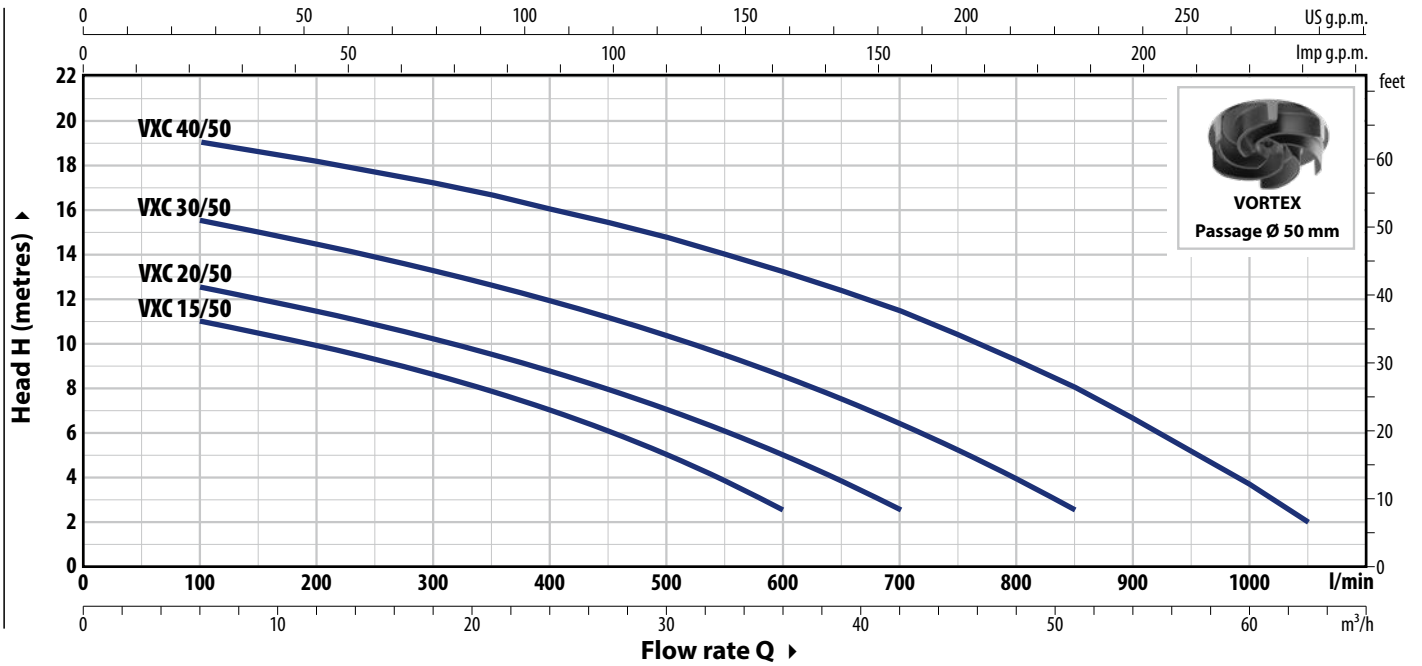
- ※ **The warranty for three-phase models remains valid only if the motor's built-in thermal protector is properly connected to the control panel. This connection is essential for the warranty's applicability.**

### PATENTS - TRADE MARKS - MODELS

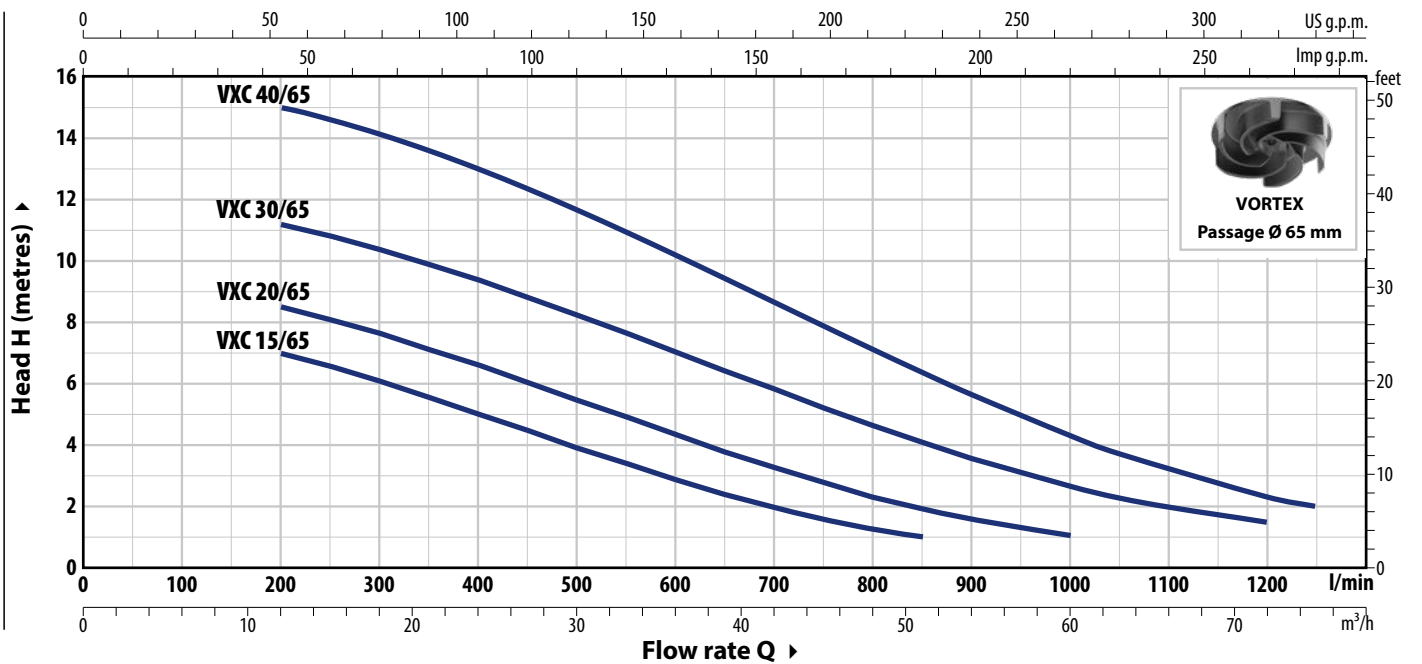
- Patent No. IT0001428923
- Registered Community Model No. 008625685-0001, No. 008625685-0002

**CURVES AND PERFORMANCE DATA**

**50 Hz**



TYPE		POWER (P <sub>2</sub> )		Q	m <sup>3</sup> /h													
Single-ph.	Three-ph.	kW	HP		0	6	12	18	24	30	36	42	51	60	63			
VXCm 15/50	VXC 15/50	1.1	1.5	H metres	0	100	200	300	400	500	600	700	850	1000	1050			
VXCm 20/50	VXC 20/50	1.5	2		12	11	9.9	8.6	7	5	2.5							
VXCm 30/50	VXC 30/50	2.2	3		13.5	12.5	11.4	10.2	8.7	7	5	2.5						
-	VXC 40/50	3	4		16.5	15.5	14.4	13.2	11.9	10.3	8.5	6.4	2.5					
					20	19	18.1	17.1	16	14.7	13.2	11.4	8	3.6	2			



TYPE		POWER (P <sub>2</sub> )		Q	m <sup>3</sup> /h													
Single-ph.	Three-ph.	kW	HP		0	12	18	24	30	36	42	51	60	63	72	75		
VXCm 15/65	VXC 15/65	1.1	1.5	H metres	0	200	300	400	500	600	700	850	1000	1050	1200	1250		
VXCm 20/65	VXC 20/65	1.5	2		8	7	6	5	4	2.8	2	1						
VXCm 30/65	VXC 30/65	2.2	3		9.5	8.5	7.6	6.6	5.4	4.3	3.3	2	1					
-	VXC 40/65	3	4		12	11	10.3	9.3	8.2	7	5.8	4	2.6	2.3	1.5			
					15.5	15	14	13	11.6	10	8.6	6.3	4.3	3.7	2.3	2		

Q = Flow rate H = Total manometric head

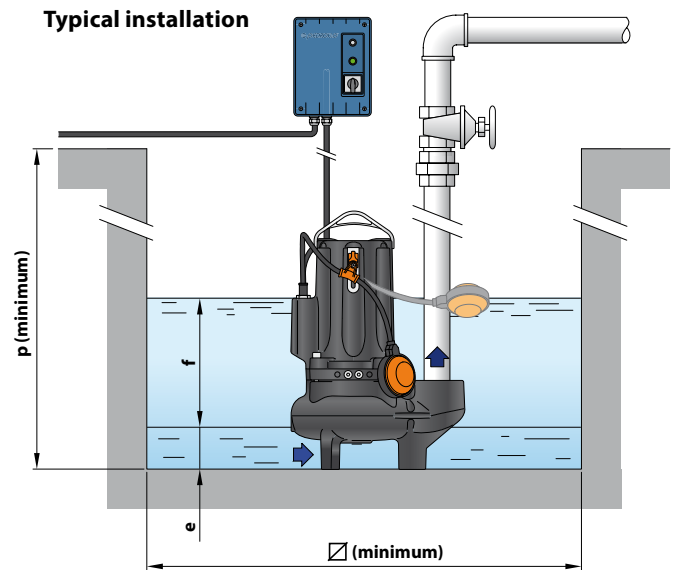
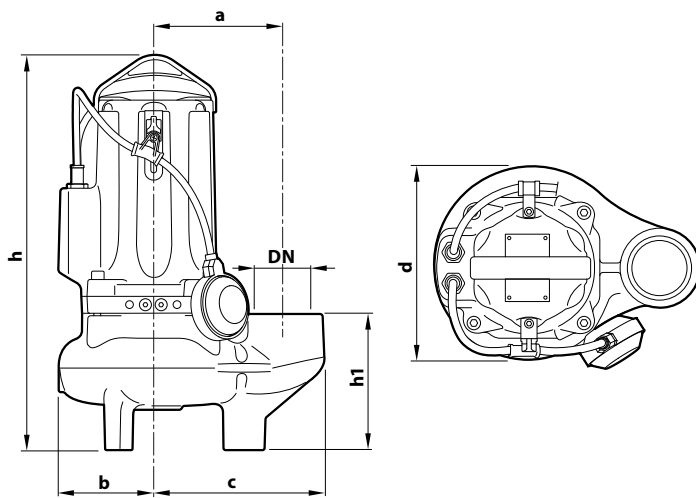
Performance curves comply with EN ISO 9906 Grade 3B tolerance limits.

### ABSORPTION

TYPE	VOLTAGE
<b>Single-phase</b>	<b>230 V</b>
VXCm 15/50	8.5 A
VXCm 20/50	9.0 A
VXCm 30/50	12.0 A
VXCm 15/65	8.5 A
VXCm 20/65	9.0 A
VXCm 30/65	12.0 A

TYPE	VOLTAGE
<b>Three-phase</b>	<b>400 V</b>
VXC 15/50	3.4 A
VXC 20/50	3.7 A
VXC 30/50	5.0 A
VXC 40/50	6.2 A
VXC 15/65	3.4 A
VXC 20/65	3.7 A
VXC 30/65	5.0 A
VXC 40/65	6.2 A

### DIMENSIONS AND WEIGHT



TYPE		PORT DN	Passage of solid bodies	DIMENSIONS mm										kg	
Single-phase	Three-phase			a	b	c	h	h1	d	e	f	p	∅	1~	3~
VXCm 15/50	VXC 15/50	2½"	50 mm	162	119	212	487	167	242	75	adjustable	800	800	42.1	40.0
VXCm 20/50	VXC 20/50						513   487							43.0	42.0
VXCm 30/50	VXC 30/50						513							48.0	44.0
-	VXC 40/50						513							-	48.0
VXCm 15/65	VXC 15/65	3"	65 mm	180	120	240	521	201	246	85	adjustable	800	800	44.0	42.5
VXCm 20/65	VXC 20/65						547   521							45.1	44.0
VXCm 30/65	VXC 30/65						547							49.8	46.0
-	VXC 40/65						547							-	49.8

### PALLET CAPACITY

TYPE		NO. OF PUMPS
<b>Single-phase</b>	<b>Three-phase</b>	
VXCm 15/50	VXC 15/50	16
VXCm 20/50	VXC 20/50	16
VXCm 30/50	VXC 30/50	12   16
-	VXC 40/50	12
VXCm 15/65	VXC 15/65	12
VXCm 20/65	VXC 20/65	12
VXCm 30/65	VXC 30/65	12
-	VXC 40/65	12

## MATERIALS AND COMPONENTS

<b>1 Pump body</b>	Cast iron with cataphoresis treatment
<b>2 Impeller</b>	Cast iron VORTEX type with cataphoresis treatment
<b>3 Motor holder</b>	Cast iron with cataphoresis treatment
<b>4 Motor bracket</b>	Cast iron with cataphoresis treatment
<b>5 Motor shaft</b>	Stainless steel <b>AISI 431</b>

### 6 Double mechanical seal with interposed oil chamber

Seal	Shaft	Location	Materials
<b>STA-22</b>	Ø 22 mm	Motor side	Ceramic / Graphite / NBR
<b>STA-20</b>	Ø 20 mm	Pump side	Silicon carbide/Silicon carbide/NBR

### 7 Electric Motor

**VXCm:** single-phase 230 V - 50 Hz with thermal motor protection

**VXC:** three-phase 400 V - 50 Hz

✘ with winding integrated thermal motor protection (to be connected to the switchboard supplied on request)

- Insulation: class F
- Protection rating: IP X8

### 8 Power cord

✘ 10 metres 'H07 RN-F' type

### 9 Switchboard

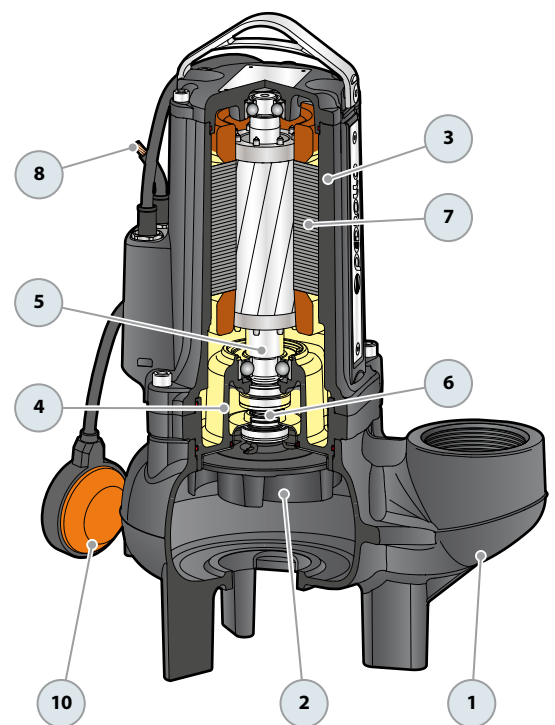
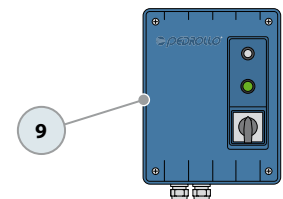
(exclusive to single-phase models)

With capacitor and manual reset motor protection switch

### 10 Float switch

(exclusive to single-phase models)

**Power switchboard**  
(standard for single-phase versions)



**OPTIONAL** - Support base  
(Cod. ASSBAVM)

