



Sewage



Civil use



Industrial use

※ **High quality materials and robustness assure superior performance and reliability**



#### PERFORMANCE RANGE

- Flow rate up to **1600 l/min** (96 m<sup>3</sup>/h)
- Head up to **25 m**

#### INSTALLATION AND USE

The **MC-F** series is constructed from thick cast iron, offering exceptional robustness, abrasion resistance, and longevity. Featuring **TWO-CHANNEL** impellers, these pumps are designed to drain liquids containing suspended solids and short fibers, as well as wastewater, **sewage, sludge-mixed water, groundwater, and surface water** in various settings including apartment buildings, public facilities, industrial sites, parking facilities, and washing areas.

#### APPLICATION LIMITS

- Depth below water level up to **10 m** (with an appropriately sized power cable)
- Liquid temperature up to **+40 °C**
- Suspended solids transfer:
  - up to **Ø 50 mm** for **MC /50-F**
  - up to **Ø 65 mm** for **MC /65-F**
- **Minimum immersion for continuous service:**
  - **320 mm** for **MC /50**
  - **360 mm** for **MC /65**

#### INCLUDES

- ※ Power cable length **10 m**
- ※ Float switch (exclusive to single-phase models)
- ※ Switchbox compatible with single-phase versions

#### AVAILABLE UPON REQUEST

- ※ Coupling foot kit
- ※ **QES** control panel for three-phase pumps
- ※ Different voltage requirements 60 Hz frequency

#### WARRANTY

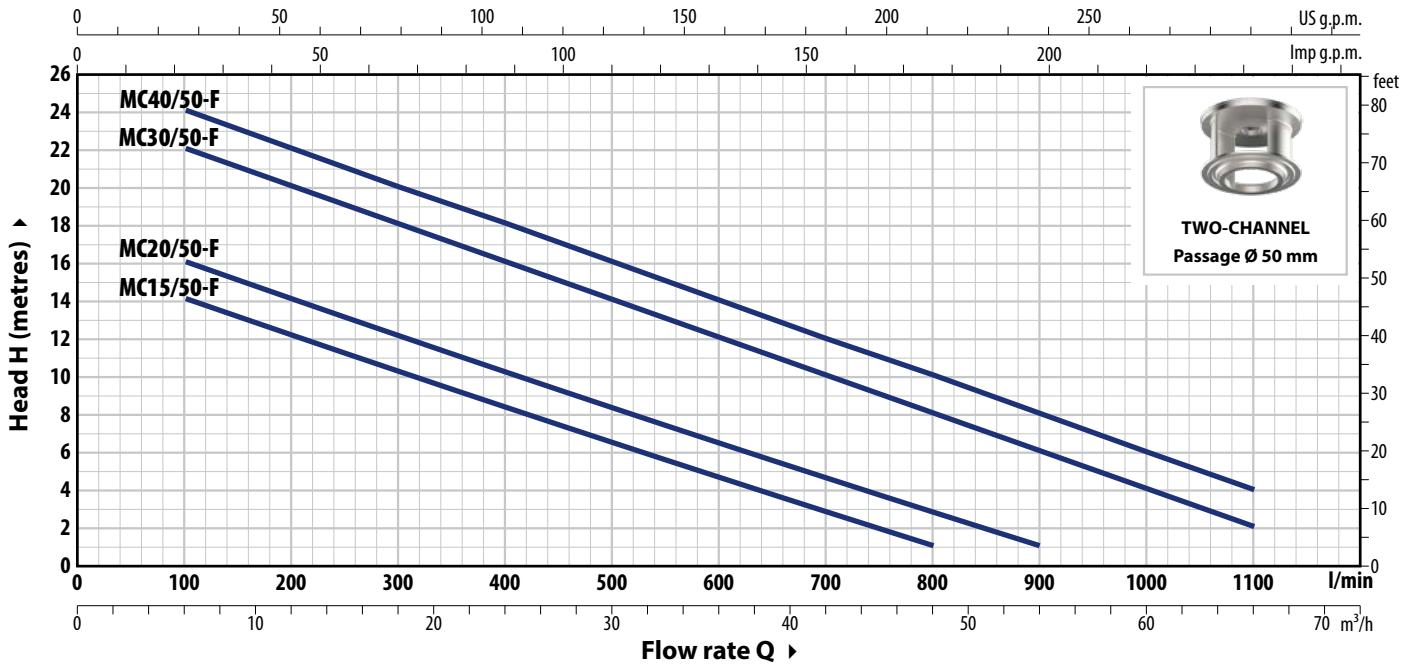
- ※ **The warranty for three-phase models remains valid only if the motor's built-in thermal protector is properly connected to the control panel. This connection is essential for the warranty's applicability.**

#### PATENTS - TRADE MARKS - MODELS

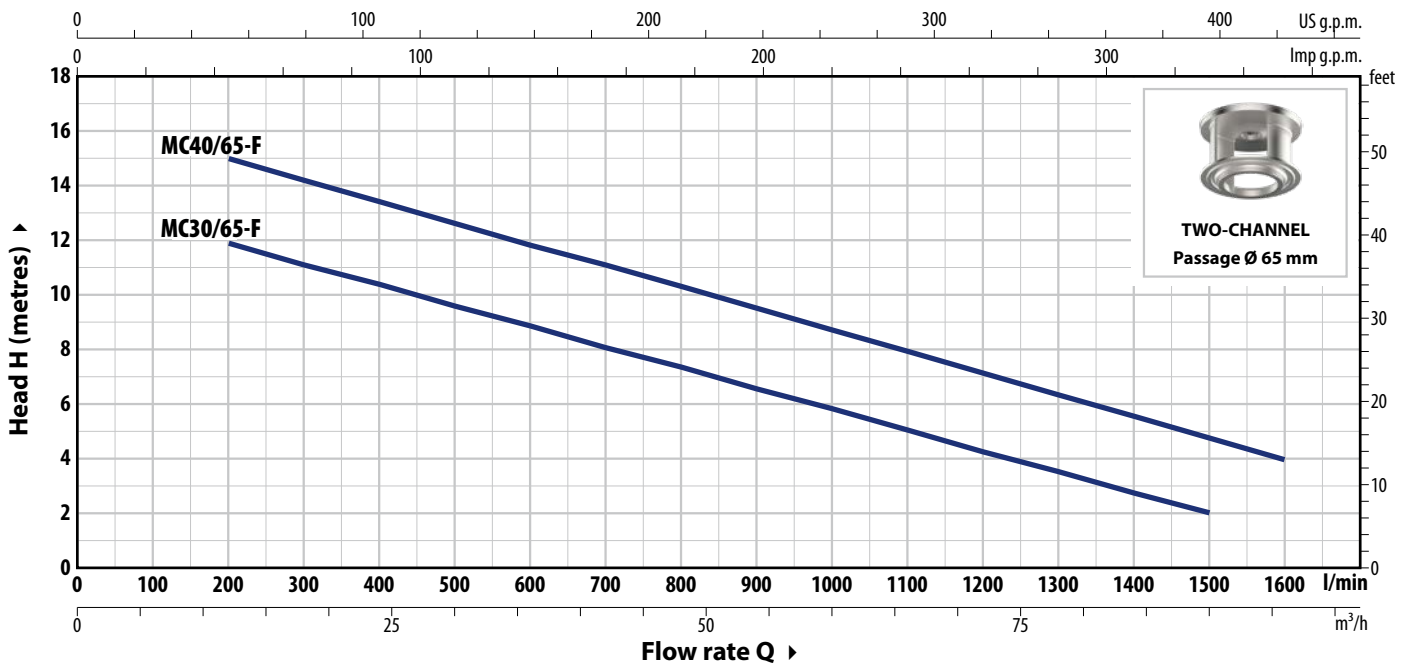
- Patent No. IT0001428923

**CURVES AND PERFORMANCE DATA**

**50 Hz**



TYPE		POWER (P <sub>2</sub> )		Q	H metres												
Single-phase	Three-phase	kW	HP		m <sup>3</sup> /h	0	6	12	18	24	30	36	42	48	54	60	66
				l/min	0	100	200	300	400	500	600	700	800	900	1000	1100	
MCm 15/50-F	MC 15/50-F	1.1	1.5	H metres	16	14	12.5	10.5	8.5	6.5	4.5	3	1				
MCm 20/50-F	MC 20/50-F	1.5	2		18	16	14	12.5	10.5	8.5	6.5	5	3	1			
MCm 30/50-F	MC 30/50-F	2.2	3		24	22	20	18	16	14	12	10	8	6	4	2	
-	MC 40/50-F	3	4		25	24	22	20	18	16	14	12	10	8	6	4	



TYPE		POWER (P <sub>2</sub> )		Q	H metres										
Single-phase	Three-phase	kW	HP		m <sup>3</sup> /h	0	12	24	36	48	60	66	72	90	96
				l/min	0	200	400	600	800	1000	1100	1200	1500	1600	
MCm 30/65-F	MC 30/65-F	2.2	3	H metres	13	12	10.5	9	7.5	6	5	4.5	2		
-	MC 40/65-F	3	4		17	15	13.5	12	10.5	8.5	8	7	4.8	4	

Q = Flow rate H = Total manometric head

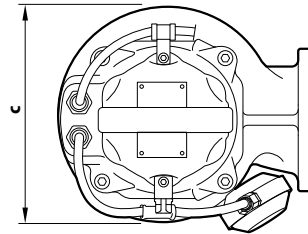
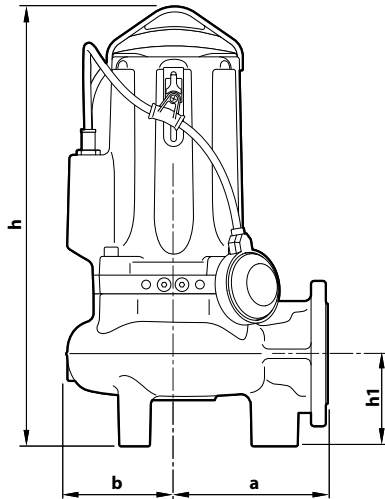
Performance curves comply with EN ISO 9906 Grade 3B tolerance limits.

### ABSORPTION

TYPE	VOLTAGE
<b>Single-phase</b>	<b>230 V</b>
<b>MCm 15/50-F</b>	10.5 A
<b>MCm 20/50-F</b>	14.0 A
<b>MCm 30/50-F</b>	18.0 A
<b>MCm 30/65-F</b>	14.0 A

TYPE	VOLTAGE
<b>Three-phase</b>	<b>400 V</b>
<b>MC 15/50-F</b>	4.5 A
<b>MC 20/50-F</b>	5.0 A
<b>MC 30/50-F</b>	6.5 A
<b>MC 40/50-F</b>	7.0 A
<b>MC 30/65-F</b>	6.5 A
<b>MC 40/65-F</b>	7.5 A

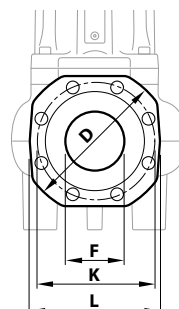
### DIMENSIONS AND WEIGHT



TYPE		Passage of solid bodies	DIMENSIONS mm					kg	
Single-phase	Three-phase		a	b	c	h	h1	1~	3~
<b>MCm 15/50-F</b>	<b>MC 15/50-F</b>	<b>50 mm</b>	170	119	242	487	102	43.6	42.0
<b>MCm 20/50-F</b>	<b>MC 20/50-F</b>					513   487		44.6	43.5
<b>MCm 30/50-F</b>	<b>MC 30/50-F</b>					513		50.0	45.5
-	<b>MC 40/50-F</b>					513		-	49.8
<b>MCm 30/65-F</b>	<b>MC 30/65-F</b>	<b>65 mm</b>	210	120	246	547   521	123	51.8	48.0
-	<b>MC 40/65-F</b>					547		-	52.8

### PORT FLANGE

TYPE	FLANGE	F	K	D	L	HOLES	
						N°	Ø (mm)
<b>MC /50-F</b>	<b>DN65</b> (PN10)	<b>2½"</b>	145	185	160	4	18
<b>MC /65-F</b>	<b>DN80</b> (PN10)	<b>3"</b>	160	200	180	8	18



## MATERIALS AND COMPONENTS

<b>1 Pump body</b>	Cast iron with cathoporesis treatment with flanged and threaded ISO 228/1 port		
<b>2 Impeller</b>	TWO-CHANNEL type in micro-cast <b>AISI 304</b> stainless steel		
<b>3 Motor holder</b>	Cast iron with cathoporesis treatment		
<b>4 Motor bracket</b>	Cast iron with cathoporesis treatment		
<b>5 Motor shaft</b>	Stainless steel <b>AISI 431</b>		
<b>6 Double mechanical seal with interposed oil chamber</b>			
Seal	Shaft	Location	Materials
<b>STA-22</b>	Ø 22 mm	Motor side	Ceramic / Graphite / NBR
<b>STA-20</b>	Ø 20 mm	Pump side	Silicon carbide/Silicon carbide/NBR

### 7 Electric Motor

**MCm-F:** single-phase 230 V - 50 Hz  
with thermal motor protection

**MC-F:** three-phase 400 V - 50 Hz  
✘ with winding integrated thermal motor protection  
(to be connected to the switchboard supplied on request)

- Insulation: class F
- Protection rating: IP X8

### 8 Power cord

✘ 10 metres 'H07 RN-F' type

### 9 Switchboard

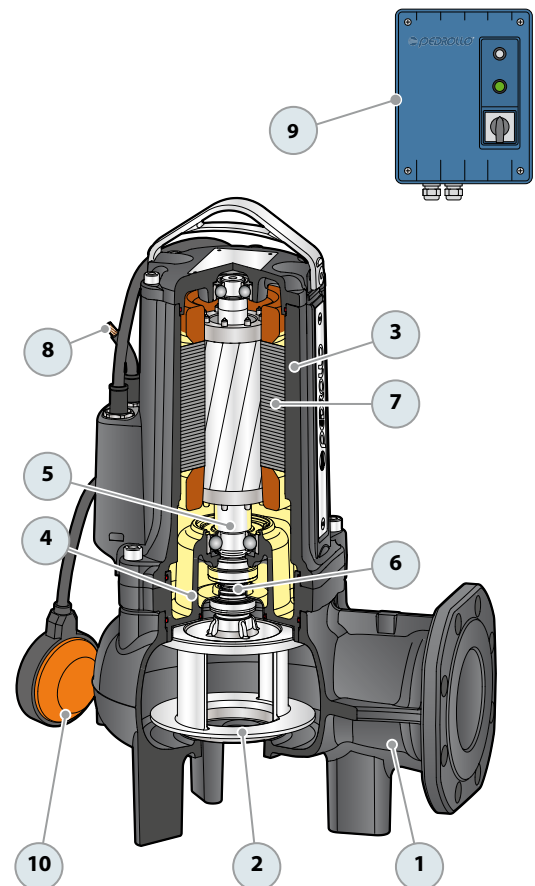
(exclusive to single-phase models)

With capacitor and manual reset motor protection switch

### 10 Float switch

(exclusive to single-phase models)

**Power switchboard**  
(standard for single-phase versions)



### OPTIONAL - Support base

(Cod. ASSBAVM)



# SEWAGE LIFTING SYSTEM VXC-F - MC-F

## VERSION WITH HORIZONTAL DELIVERY AND 3/4" GUIDE PIPES

For VXC /50-F, MC /50-F	Code ASSVXCF051	DN 2"
-------------------------	-----------------	-------

※ Kit consisting of:



Coupling foot



Slide rail with screws and gasket



Support for guide tubes



## VERSION WITH VERTICAL DELIVERY AND 3/4" GUIDE PIPES

For VXC /50-F, MC /50-F	Code ASSVXCF051V	DN 2 1/2"
For VXC /65-F, MC /65-F	Code ASSVXCF071V	DN 3"

## VERSION WITH VERTICAL DELIVERY AND 2" GUIDE TUBES

For VXC /50-F, MC /50-F	Code ASSVXCF0704V	DN 3"
For VXC /65-F, MC /65-F	Code ASSVXCF0705V	

※ Kit consisting of:



Coupling foot complete with counterflange



Slide rail with screws and gasket



Support for guide tubes



## ● ACCESSORIES AVAILABLE FOR ORDER

### RUNNING GUIDE

※ For VXC /50-F, MC /50-F with guide tubes Ø 3/4".	Code ASSFL0017
※ For VXC /65-F, MC /65-F with guide tubes Ø 3/4".	Code ASSFL0018
※ For VXC /50-F, MC /50-F with guide tubes Ø 2".	Code ASSFL071
※ For VXC /65-F, MC /65-F with guide tubes Ø 2".	Code ASSFL072

Complete with screws and seals



for Ø 3/4" guide tubes



for guide tubes Ø 2"

### INTERMEDIATE GUIDE TUBE SUPPORT

※ For Ø 3/4" guide tubes	Code 859SV340INTFA
※ For guide tubes Ø 2"	Code 859SV349INTFA

For reasons of stability, interpose a support:

- every 2 metres with 3/4 " guide pipes (mandatory)
- every 3 metres with 2" guide tubes (recommended)



for Ø 3/4" guide tubes



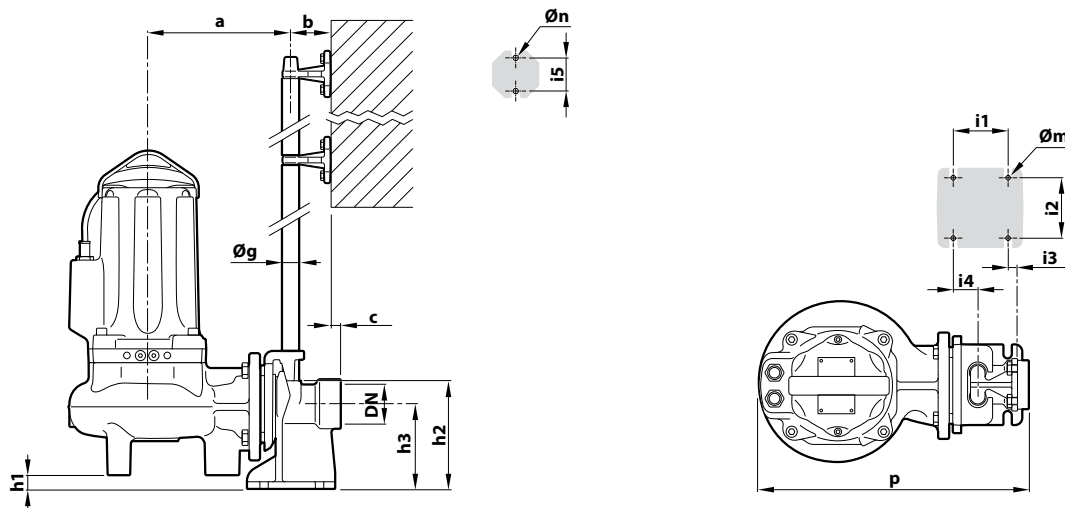
for guide tubes Ø 2"

### GUIDE TUBE (AISI 304 stainless steel)

※ 2 metres Ø 3/4" guide tube	Code 54SARTG0052F
※ 3 metres Ø 3/4" guide tube	Code 54SARTG0053F
※ 6 metres Ø 3/4" guide tube	Code 54SARTG0056F
※ 3 metres Ø 2" guide tube	Code 54SARTG0063F
※ 6 metres guide tube Ø 2"	Code 54SARTG0066F

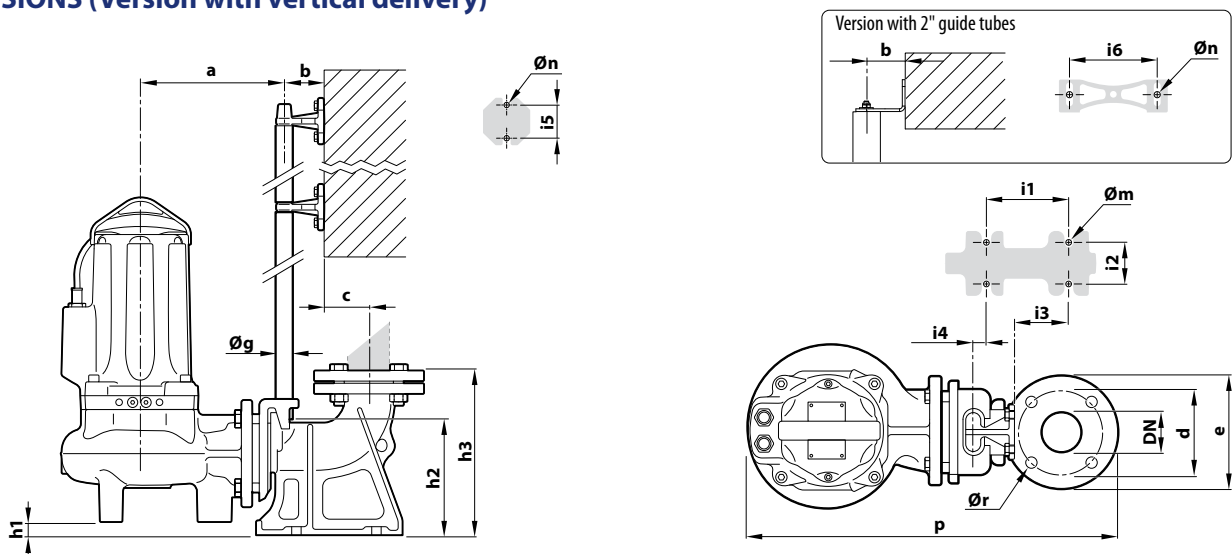


### DIMENSIONS (Version with horizontal outlet)



TYPE	Solid bodies mm	PORT DN	DIMENSIONS mm														
			a	b	c	p	h1	h2	h3	i1	i2	i3	i4	i5	Øg	Øm	Øn
VXC /50 -F	Ø 50	2"	216	61	17	412	28	165	130	85	94	16	40	50	¾"	12	11
MC /50 -F																	

### DIMENSIONS (Version with vertical delivery)



#### Version with ¾" guide tubes

TYPE	Solid bodies mm	PORT DN	DIMENSIONS mm																	
			a	b	c	d	e	p	h1	h2	h3	i1	i2	i3	i4	i5	Øg	Øm	Øn	Ør
VXC /50 -F	Ø 50 mm	2½"	213	61	52	125	165	526	25.5	164	215	120	72	62	3	50	¾"	14	11	18
MC /50 -F																				
VXC /65 -F	Ø 65 mm	3" (PN6)	253	61	69	150	190	598	46	216	279	130	112	84	15	50	¾"	14	11	18
MC /65 -F																				

#### Version with 2" guide tubes

TYPE	Solid bodies mm	PORT DN	DIMENSIONS mm																		
			a	b	c	d	e	p	h1	h2	h3	i1	i2	i3	i4	i5	i6	Øg	Øm	Øn	Ør
VXC /50 -F	Ø 50 mm	3" (PN10)	320	85	95	160	200	718	105	265	392	250	150	35	-130	-	187	2"	22	13.5	18
MC /50 -F																					
VXC /65 -F	Ø 65 mm	3" (PN10)	359	85	95	160	200	760	84	256	392	250	150	35	-130	-	187	2"	22	13.5	18
MC /65 -F																					