



Sewage



Civil use



Industrial use

※ Submersible pumps 4 poles (1450 min⁻¹)



PERFORMANCE RANGE

- Flow rate up to **5000 l/min** (300 m³/h)
- Head up to **22.5 m**

INSTALLATION AND USE

The **VXC4** series is constructed from thick stainless steel and cast iron, offering exceptional robustness, abrasion resistance, and durability. Equipped with a **VORTEX**-type impeller, the pumps are designed to **drain sewage, sludge-mixed water, and activated and putrid sludge**.

They are suitable for a wide range of applications, including sewers, tunnels, excavations, canals, and underground parking facilities.

ELECTRIC MOTOR

※ **Electric motor with built-in three-phase thermal protection in the winding must be connected to the electrical panel.**

N.B. The warranty is valid if the thermal protection is connected to the electrical panel.

INCLUDES

- ※ Power cable length **10 m**

APPLICATION LIMITS

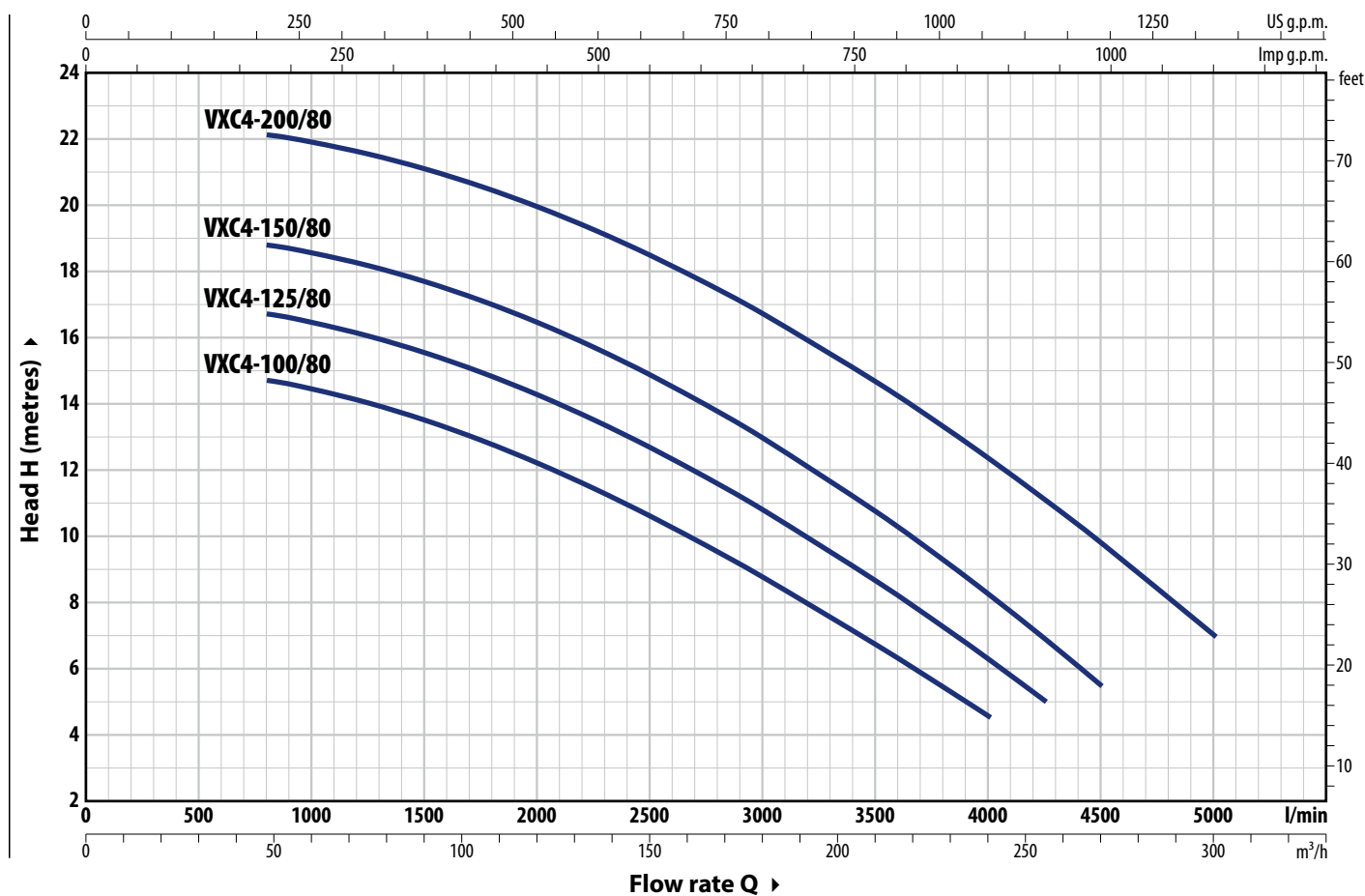
- Depth below water level up to **10 m** (with an appropriately sized power cable)
- Liquid temperature up to **+40 °C**
- Capable of processing suspended solids up to **Ø 80 mm**
- **For continuous service, the pump must not rise more than 290 mm**

AVAILABLE UPON REQUEST

- ※ Pumps equipped with internal probes that detect the presence of water in the oil chamber
- ※ Pumps with double cable for star/delta starting
- ※ Different voltage requirements 60 Hz frequency

CURVES AND PERFORMANCE DATA – n= 1450 min⁻¹

50 Hz



TYPE	POWER (P ₂)		Q	Flow rate														
	kW	HP		m ³ /h	0	48	60	90	120	150	180	210	240	255	270	300		
Three-phase			l/min	0	800	1000	1500	2000	2500	3000	3500	4000	4250	4500	5000			
VXC4-100/80	7.5	10	H metres	15	14.7	14.5	13.5	12.2	10.6	8.7	6.7	4.5						
VXC4-125/80	9.2	12.5		17	16.7	16.5	15.5	14.3	12.7	10.8	8.6	6.3	5					
VXC4-150/80	11	15		19	18.8	18.6	17.7	16.4	15	13	10.7	8.2	7	5.5				
VXC4-200/80	15	20		22.5	22.1	22	21	20	18.5	16.7	14.7	12.3	11	9.8	7			

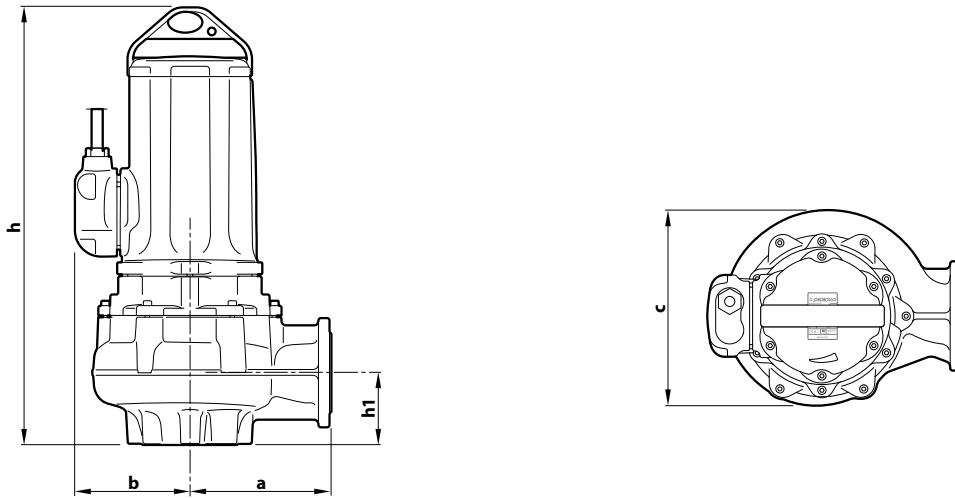
Q = Flow rate H = Total manometric head

Performance curves comply with EN ISO 9906 Grade 3B tolerance limits.

ABSORPTION

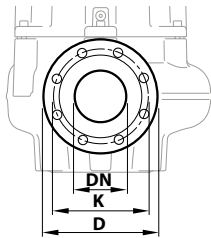
TYPE	TENSIONE			
	230 V - Δ	400 V - 人	400 V - Δ	690 V - 人
VXC4-100/80	32.9 A	19.0 A	19.0 A	11.0 A
VXC4-125/80	36.3 A	21.0 A	21.0 A	12.1 A
VXC4-150/80	40.7 A	23.5 A	23.5 A	13.6 A
VXC4-200/80	49.3 A	28.5 A	28.5 A	16.5 A

DIMENSIONS AND WEIGHT



TYPE	Passage of solid bodies	DIMENSIONS mm					kg
		a	b	c	h	h1	
Three-phase	Ø 80 mm	285	228	395	858	130	3~
VXC4-100/80							215
VXC4-125/80							217
VXC4-150/80							227
VXC4-200/80							237

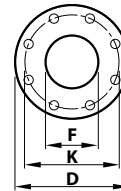
PORT FLANGE



TYPE	FLANGE DN	K mm	D mm	HOLES	
				N°	Ø (mm)
Three-phase	100 (PN10)	180	220	8	18
VXC4-100/80					
VXC4-125/80					
VXC4-150/80					
VXC4-200/80					

COUNTERFLANGE

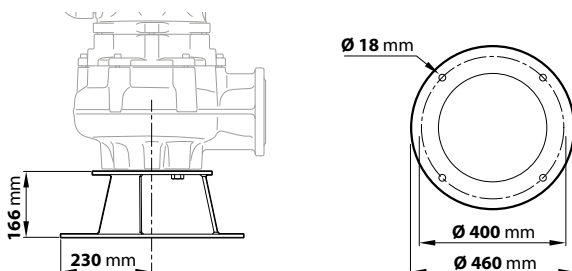
(CAN BE ORDERED SEPARATELY)



TYPE	FLANGE DN	F mm	K mm	D mm	HOLES	
					N°	Ø (mm)
Three-phase	100	4"	180	220	8	18
VXC4-100/80						
VXC4-125/80						
VXC4-150/80						
VXC4-200/80						

BASE

(CAN BE ORDERED SEPARATELY)



MATERIALS AND COMPONENTS

1 Pump body	Cast iron with cataphoresis treatment
2 Impeller	Cast iron VORTEX type with cataphoresis treatment
3 Motor holder	Cast iron
4 Motor cover	Cast iron
5 Motor shaft	Stainless steel AISI 431

6 Double mechanical seal with interposed oil chamber

Seal	Shaft	Location	Materials
MG1-43	Ø 43 mm	Motor side	Ceramic / Graphite / NBR
ARP-40	Ø 40 mm	Pump side	Silicon carbide/Silicon carbide/NBR

7 Electric Motor

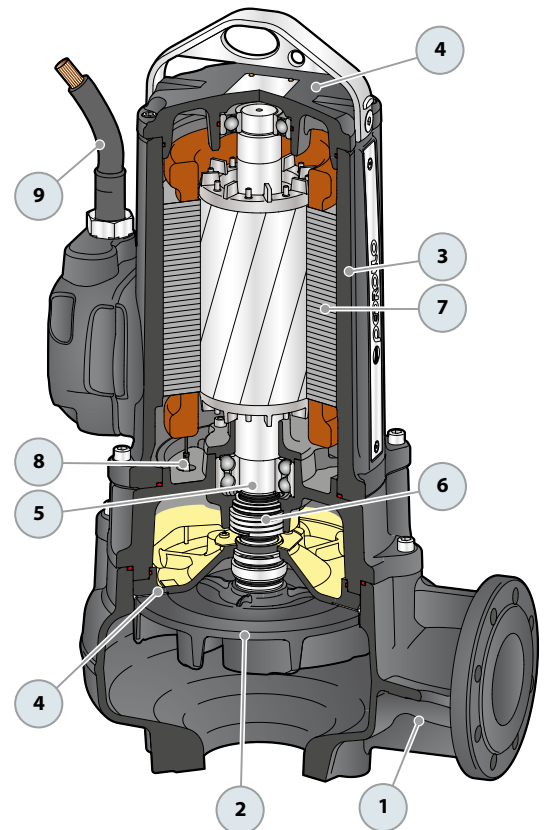
Three-phase 230/400 V - 50 Hz or 400/690 V - 50 Hz
with winding integrated thermal three-phase motor protection to be connected to the switchboard

- Insulation: class F
- Protection rating: IP X8

8 ✖ Probe for detecting water in the oil chamber

9 Power cord

✖ 10 metres 'EM2 quality' type



SEWAGE LIFTING SYSTEM VXC4 - MC4

VERSION WITH VERTICAL DELIVERY AND 2" GUIDE TUBES

For VXC4, MC4	Code ASSPVXC4V	DN 4"
----------------------	----------------	--------------

※ **Kit consisting of:**



Coupling foot complete with counterflange



Slide rail with screws and gasket



Support for guide tubes



ACCESSORIES AVAILABLE FOR ORDER

RUNNING GUIDE

※ For VXC4, MC4	Code ASSFL100
-----------------	---------------

Complete with screws and seals



INTERMEDIATE GUIDE TUBE SUPPORT

※ For guide tubes Ø 2"	Code 859SV349INTFA
------------------------	--------------------

For reasons of stability interpose a support every 3 metres



GUIDE TUBE (AISI 304 stainless steel)

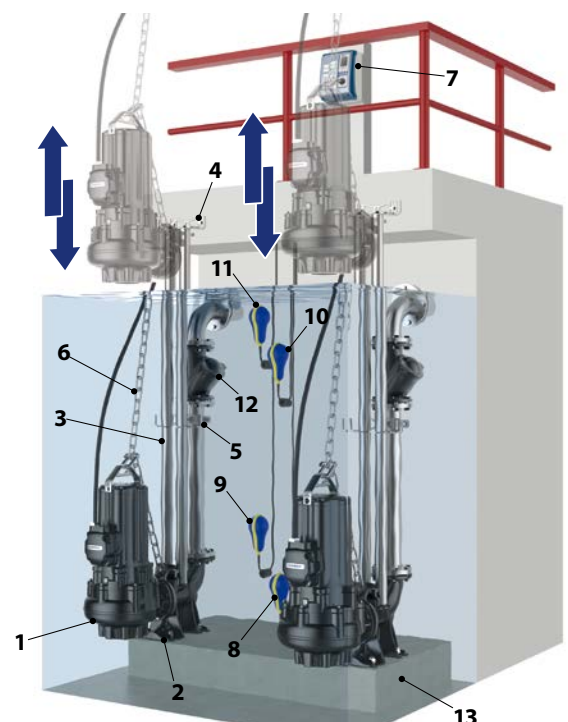
※ 3 metres Ø 2" guide tube	Code 54SARTG0063F
----------------------------	-------------------

※ 6 metres guide tube Ø 2"	Code 54SARTG0066F
----------------------------	-------------------

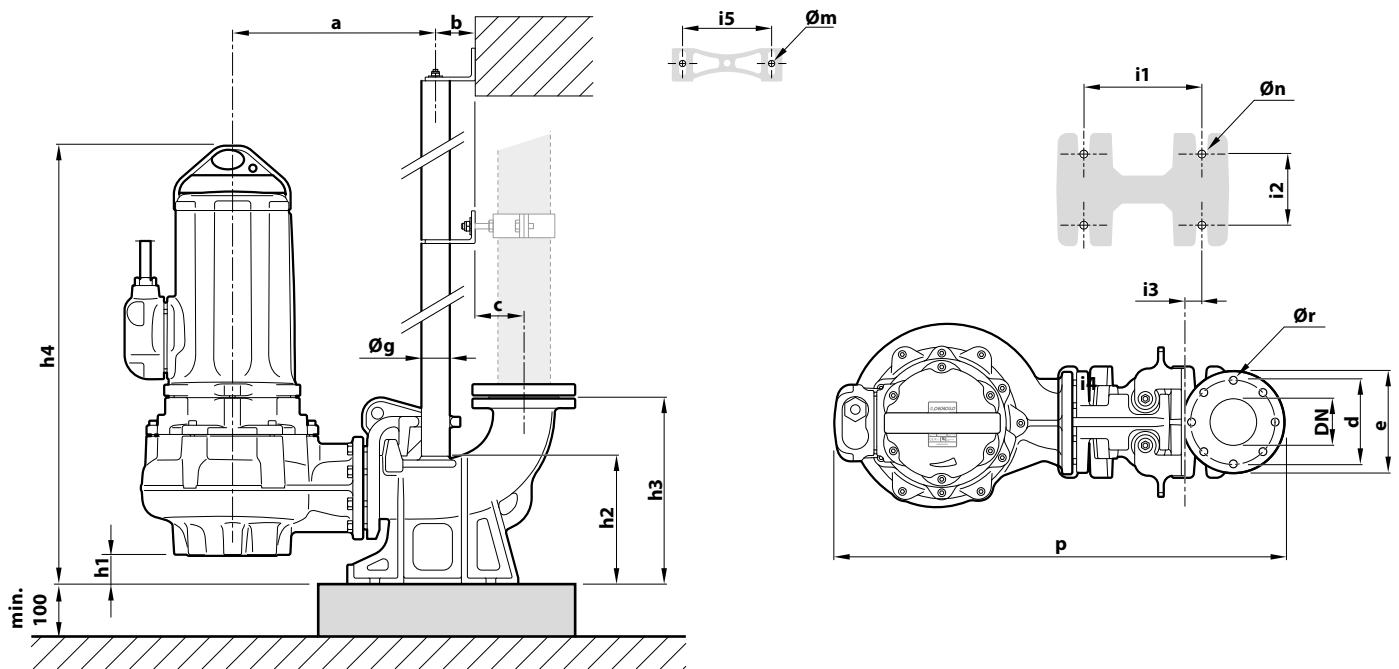


Typical installation

1. Water pump
2. Pump Base
3. Guide Rails
4. Upper Guide Rail Support
5. Intermediate Guide Rail Support
6. Lifting chain
7. Control Panel
8. Stop Float Switch
9. Start Float Switch
10. Supplementary pump start float switch
11. Alarm float
12. Check valve
13. Pump Pedestal



DIMENSIONS



TYPE	Passage of solid bodies mm	PORT DN	DIMENSIONS mm																		
			a	b	c	d	e	p	h1	h2	h3	h4	i1	i2	i3	i5	Øg	Øm	Øn	Ør	
Three-phase																					
VXC4 /80	Ø 80 mm	100	435	85.5	104.5	180	220	965	77	275	400	935	250	150	34	187	2"	13.5	22	18	
MC4 /80																					