



※ For pools up to  
70 m<sup>3</sup>



- ※ Robust electric pumps constructed with high-quality components and thick materials for extended durability and quiet operation.
- ※ Pre-filter equipped with a transparent cover for easy visual inspection, featuring an extra-large filter basket to reduce cleaning frequency.

- ※ High resistance to heat, chemicals, and salt corrosion.
- ※ Motor case painted with cathaphoresis for added protection
- ※ Supplied with 1½" GAS threaded ISO 228/1 connection fittings and AISI 304 screws

### PERFORMANCE RANGE

- Flow rate up to **310 l/min** (18.6 m<sup>3</sup>/h)
- Head up to **16 m**

### INSTALLATION AND USE

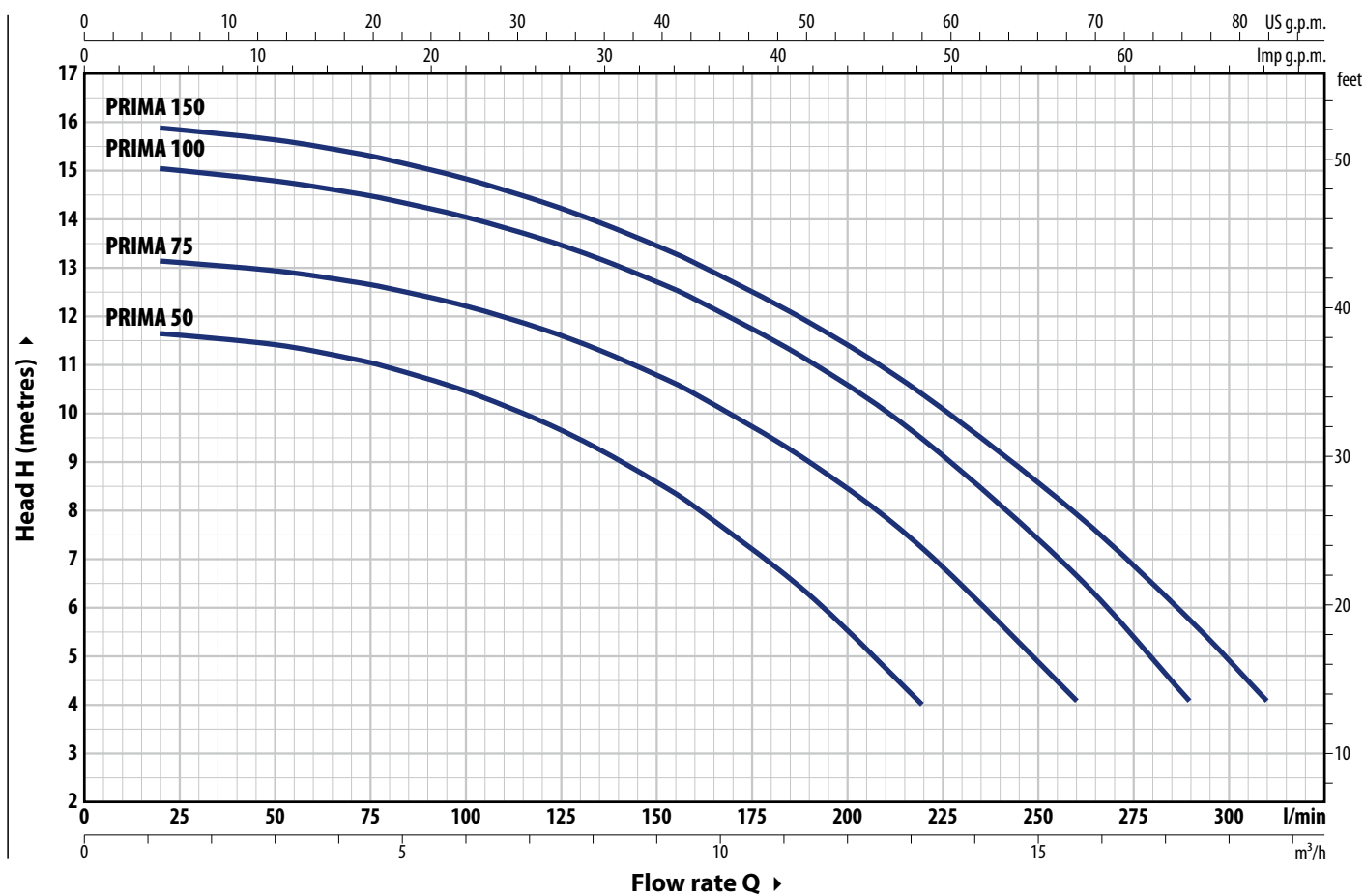
Self-priming pump with a built-in filter, designed for water circulation in residential swimming pools up to **70 m<sup>3</sup>**.

### APPLICATION LIMITS

- Manometric suction head up to **4 m** (HS)
- Liquid temperature up to **+40 °C**
- Ambient temperature up to **+40 °C**
- Maximum working pressure **2.5 bar**
- Swimming pool water (pH 6.5-8.4).

**CURVES AND PERFORMANCE DATA – HS=0 m**

**50 Hz**



TYPE		POWER (P <sub>2</sub> )		1~3~	Q	m <sup>3</sup> /h																
Single-phase	Three-phase	kW	HP			0	1.2	3	4.2	4.8	6	7.2	9	9.6	11.4	13.2	15.6	17.4	18.6			
					0	20	50	70	80	100	120	150	160	190	220	260	290	310				
PRIMA 50m	PRIMA 50	0.37	0.50	IE2 IE3	11.7	11.6	11.4	11.1	10.9	10.4	9.8	8.6	8	6.3	4							
PRIMA 75m	PRIMA 75	0.55	0.75		13.2	13.1	13	12.7	12.6	12.2	11.7	10.8	10.4	9	7	4						
PRIMA 100m	PRIMA 100	0.75	1		15	15	14.8	14.5	14.4	14	13.6	12.7	12.3	11	9.4	6.6	4					
PRIMA 150m	PRIMA 150	1.1	1.5		16	15.8	15.6	15.3	15.2	14.8	14.3	13.4	13	11.8	10.3	8	5.7	4				

Q = Flow rate H = Total manometric head HS = Suction height

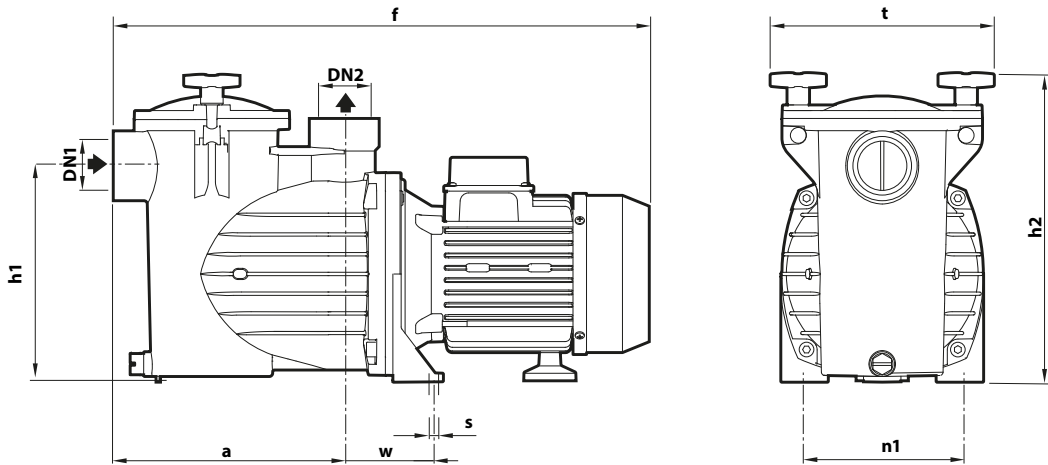
Performance curves comply with EN ISO 9906 Grade 3B tolerance limits.

### ABSORPTION

TYPE	VOLTAGE
<b>Single-phase</b>	<b>230 V</b>
<b>PRIMA 50m</b>	3.0 A
<b>PRIMA 75m</b>	3.8 A
<b>PRIMA 100m</b>	4.8 A
<b>PRIMA 150m</b>	5.5 A

TYPE	VOLTAGE	
	<b>230 V - Δ</b>	<b>400 V - 人</b>
<b>PRIMA 50</b>	2.6 A	1.5 A
<b>PRIMA 75</b>	2.8 A	1.6 A
<b>PRIMA 100</b>	2.9 A	1.7 A
<b>PRIMA 150</b>	4.0 A	2.3 A

### DIMENSIONS AND WEIGHT



TYPE		PORTS		DIMENSIONS mm								kg	
Single-phase	Three-phase	DN1	DN2	a	f	h1	h2	n1	w	s	t	1~	3~
<b>PRIMA 50m</b>	<b>PRIMA 50</b>	<b>1½"</b>	<b>1½"</b>	205	476	191	275	140	68	9	197	8.8	8.8
<b>PRIMA 75m</b>	<b>PRIMA 75</b>											9.8	9.8
<b>PRIMA 100m</b>	<b>PRIMA 100</b>												
<b>PRIMA 150m</b>	<b>PRIMA 150</b>												

## MATERIALS AND COMPONENTS

<b>1 Pump body</b>	Glass-fibre reinforced polypropylene		
<b>2 Seal insert</b>	Glass-fibre reinforced polypropylene		
<b>3 Diffuser</b>	Glass-fibre reinforced polypropylene		
<b>4 Impeller</b>	Noryl™		
<b>5 Mechanical seal</b>	Seal	Shaft	Materials
	<b>AR-17</b>	Ø 17	Graphite / Alumina Oxide / NBR
<b>6 Motor shaft</b>	Stainless steel <b>AISI 316</b>		
<b>7 Electric motor</b>	<p><b>PRIMA m:</b> single-phase 230 V - 50 Hz with winding integrated thermal motor protection  <b>PRIMA:</b> three-phase 230/400 V - 50 Hz</p> <p>※ Pumps are equipped with high-efficiency motors (IEC 60034-30-1) class <b>IE3</b> for three-phase models</p> <ul style="list-style-type: none"> <li>– Continuous running duty <b>S1</b></li> <li>– Insulation: CLASS F</li> <li>– Protection rating: IP 55</li> </ul>		
<b>8 O-Ring (OR)</b>	NBR		
<b>9 Cover</b>	Polycarbonate		
<b>10 Pre-filter</b>	Polypropylene		
<b>11 Closing knob</b>	Nylon		
<b>12 Fittings</b>	PVC		

