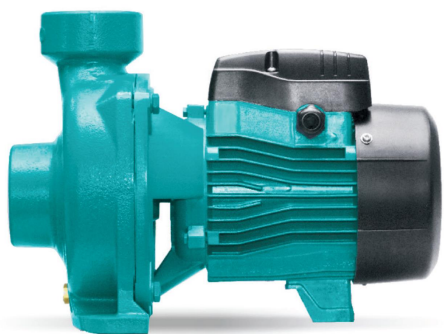


# ACmB2 Centrifugal cast iron pump



## Application

- Transfer of clear water or other liquids chemically and physically comparable to water
- Suitable for industrial use and water supply, overpressure for fire system, garden irrigation, air conditioning system, circulation and overpressure, etc ...

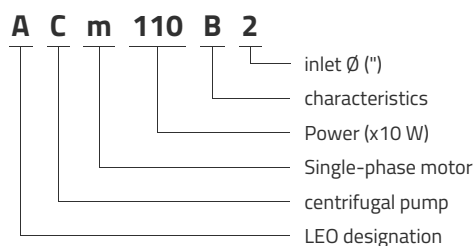
## Pompe

- Special anti-rust treatment (cataphoresis) for the cast iron pump body and the lantern
- AISI 304 stainless steel shaft
- Maximum liquid temperature: +40°C
- Maximum suction height: 8 m

## Moteur

- Integrated thermal protection for single-phase motors
- Insulation class: F
- Protection class: IPX4
- Maximum ambient temperature: +40°C

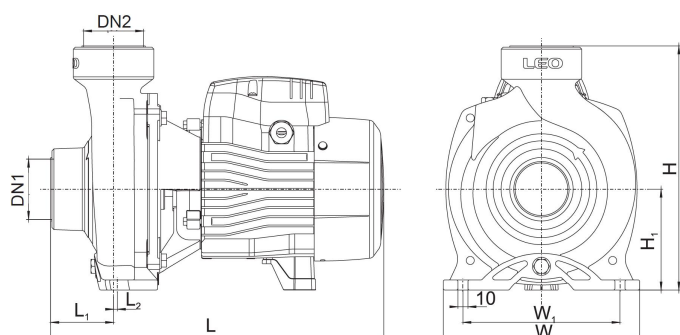
## Identification codes



## Technical data

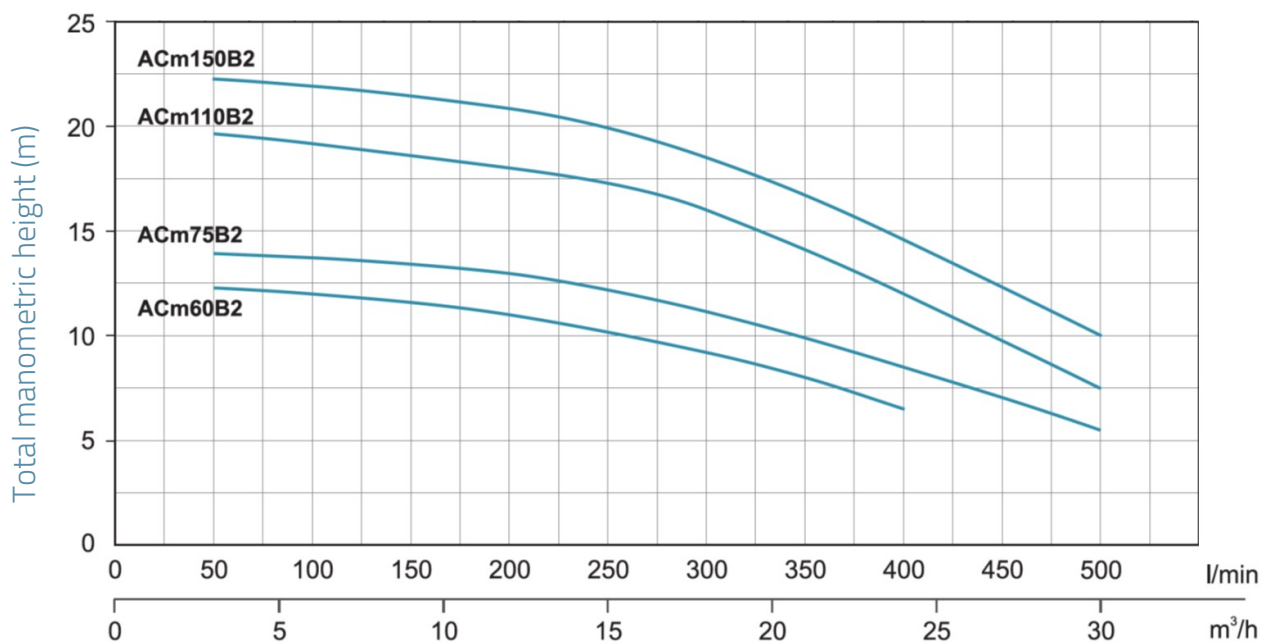
MODEL	kW	Q (m³/h) Q (l/min)	Q (m³/h)								
			0	6	9	12	15	18	21	24	30
ACm60B2	0.6	12.5	12	11.7	11	10.2	9.2	8	6.5		
AC60B2	0.6	12.5	12	11.7	11	10.2	9.2	8	6.5		
ACm75B2	0.75	14	13.7	13.5	13	12.3	11.2	9.9	8.5	5.5	
AC75B2	0.75	14	13.7	13.5	13	12.3	11.2	9.9	8.5	5.5	
ACm110B2	1.1	19.5	19.2	19	18.5	17.7	16.5	15	13	8.5	
AC110B2	1.1	19.5	19.2	19	18.5	17.7	16.5	15	13	8.5	
ACm150B2	1.5	22	21.5	21	20.5	19.5	18.3	16.5	14.5	9.5	
AC150B2	1.5	22	21.5	21	20.5	19.5	18.3	16.5	14.5	9.5	

## Dimensions



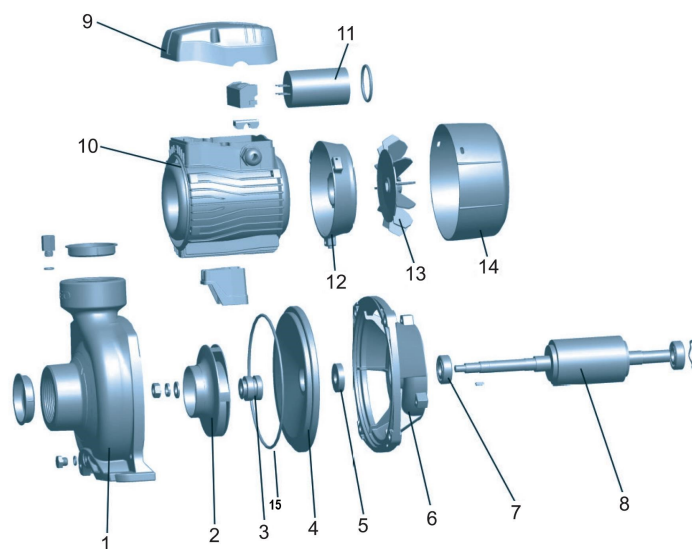
MODEL	DN1	DN2	L	W	H	L1	L2	W1	H1
ACm60B2	2	2	331	195	242	62.5	4	156	100
AC60B2	2	2	331	195	242	62.5	4	156	100
ACm75B2	2	2	331	195	242	62.5	4	156	100
AC75B2	2	2	331	195	242	62.5	4	156	100
ACm110B2	2	2	378	206	263	59	3.5	166	172
AC110B2	2	2	378	206	263	59	3.5	166	172
ACm150B2	2	2	378	206	263	59	3.5	166	172
AC150B2	2	2	378	206	263	59	3.5	166	172

## Hydraulic performance



## Exploded view

No.	Type	Materials
1	Pump body	cast iron HT200
2	Impeller	AISI 304 stainless steel
3	Mechanical seal	carbon / ceramic
4	Pump bottom	cast iron HT200
5	Oil seal	
6	Lantern	cast aluminum ZL102
7	Bearing	
8	Rotor	
9	Electric box cover	ABS
10	Stator	
11	Capacitor	
12	Rear cover	cast aluminum ZL102
13	Fan	polypropylene
14	Fan cover	polypropylene
15	O-ring	nitrile rubber (NBR)



## Packaging

MODEL	Weight (kg)	Length L (mm)	Width W (mm)	Height H (mm)
ACm60B2	14.4	375	214	265
AC60B2	14.4	375	214	265
ACm75B2	15.2	375	214	265
AC75B2	15.2	375	214	265
ACm110B2	19.9	415	225	285
AC110B2	19.9	415	225	285
ACm150B2	20.7	415	225	285
AC150B2	20.7	415	225	285

