

Qty. Description

1 UNILIFT AP50B.50.08.A1V



Note! Product picture may differ from actual product

Product No.: [96004586](#)

Submersible effluent pump

Vertical single-stage stainless steel submersible pump with integrated submersible 1-phase motor.

The pump is fitted with ring stand and carrying handle and is supplied with a 5 m mains cable and a level switch for automatic start and stop.

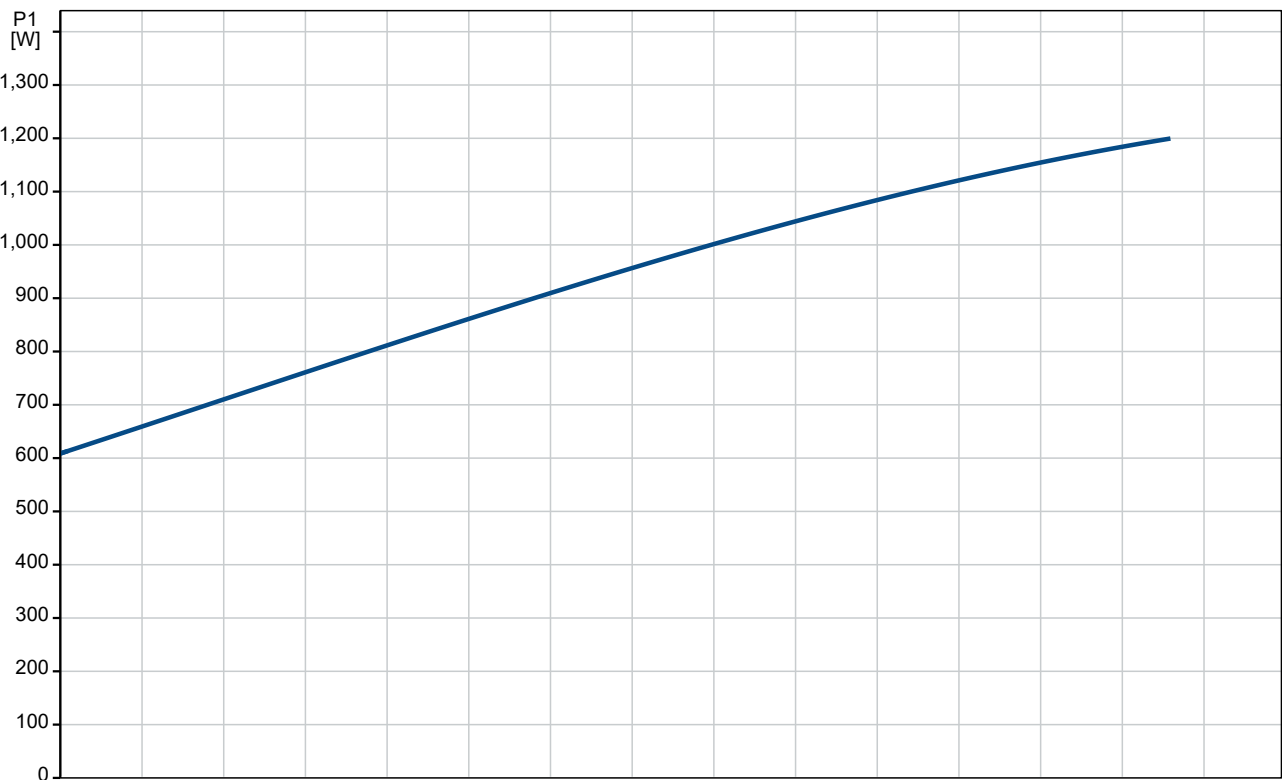
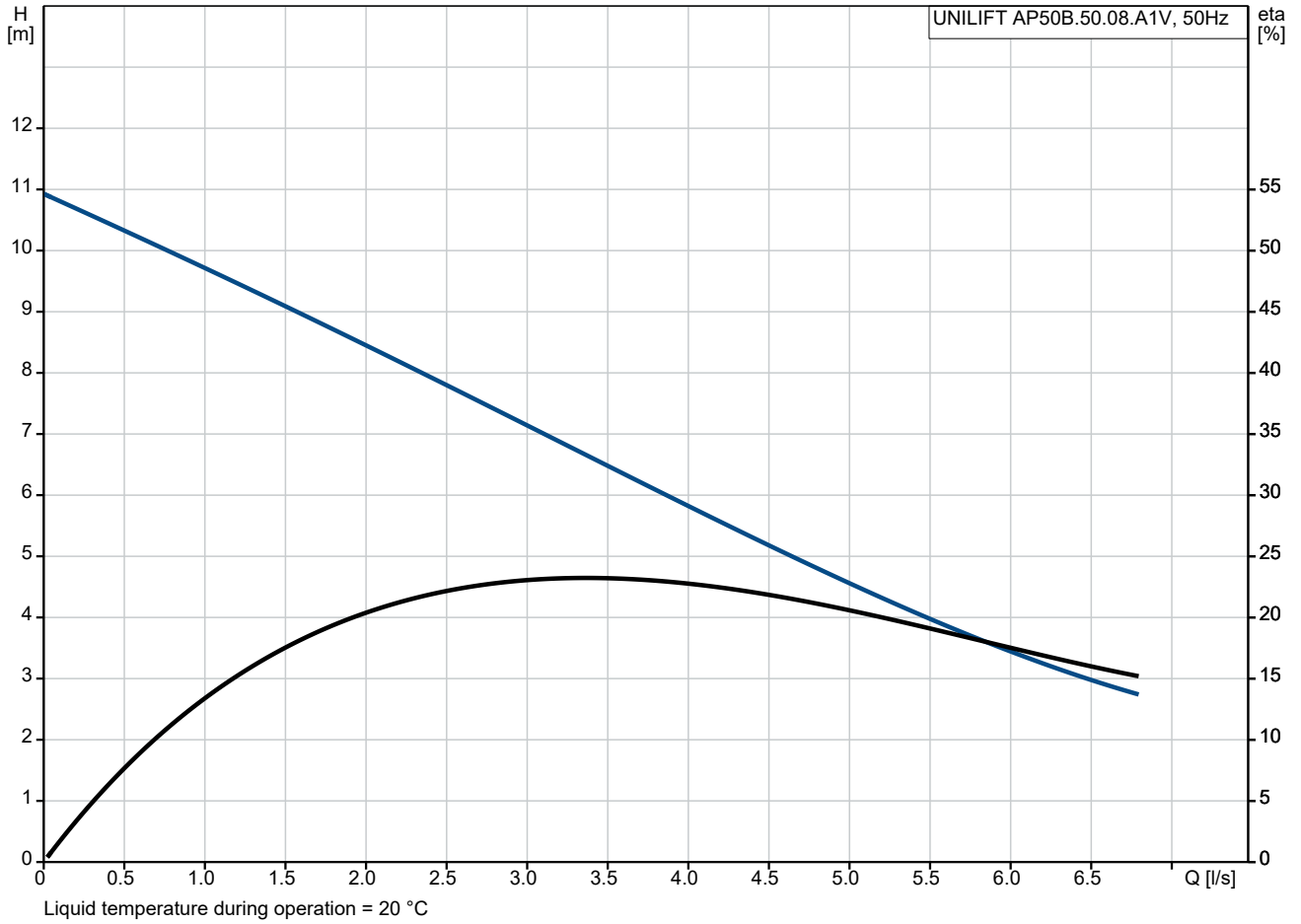
The impeller is a VORTEX impeller for 50 mm free passage suitable for pumping surface water, groundwater, wastewater and similar.

The pump has a double shaft seal and an intermediate oil chamber pre-filled with non-toxic special oil.

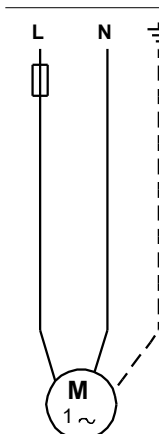
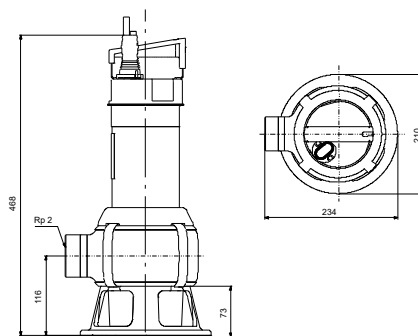
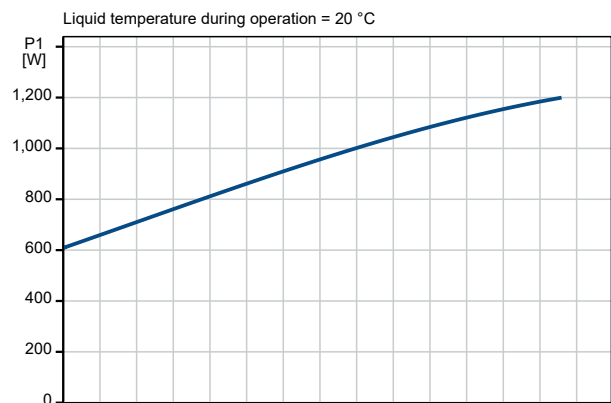
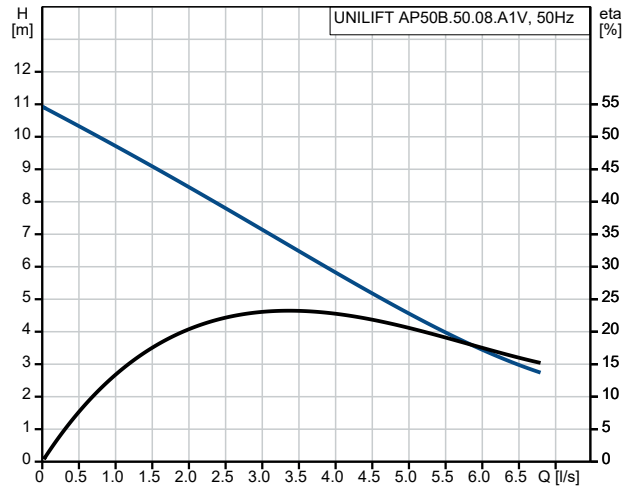
The motor is insulation class F with thermal overload protection and has long-life deep-groove greased-for-life ball bearings.

The pump has Rp 2 inch discharge port and is ready for installation either free-standing or on an auto-coupling system.

96004586 UNILIFT AP50B.50.08.A1V 50 Hz



Description	Value
General information:	
Product name:	UNILIFT AP50B.50.08.A1V
Product No:	96004586
EAN number:	5700391489501
Price:	Eur 913
Technical:	
Maximum flow:	6.67 l/s
Maximum head:	11 m
Type of impeller:	VORTEX
Max. Particle:	50 mm
Approvals:	CE,RCM,VDE,LGABG,EAC,MORO,MORO,UKCA,SEPRO
Materials:	
Pump housing:	Stainless steel
Pump housing:	EN 1.4301
Pump housing:	AISI 304
Impeller:	Stainless steel
Impeller:	EN 1.4301
Impeller:	AISI 304
Installation:	
Range of ambient temperature:	0 .. 40 °C
Type of connection:	Rp
Size of connection:	2 inch
Maximum installation depth:	2 m
Inst dry/wet:	S
Installation:	H/V
Auto-coupling:	Y
Place of installation:	Indoor
Liquid:	
Liquid temperature range:	0 .. 40 °C
Selected liquid temperature:	20 °C
Density:	998.2 kg/m ³
Electrical data:	
Power input P1:	1.2 kW
Motor type 1-phase:	PSC
Rated power - P2:	0.74 kW
Mains frequency:	50 Hz
Rated voltage:	1 x 230 V
Rated current:	5.37 A
Cos phi - power factor:	0.97
Rated speed:	2790 rpm
Capacitor size - run:	16 µF/400 V
Enclosure class (IEC 34-5):	IP68
Insulation class (IEC 85):	F
Built-in motor protection:	CONTACT
Thermal protec:	INT.
Length of power cable:	5 m
Type of cable plug:	SCHUKO
Controls:	
Level switch:	A
Others:	
Net weight:	11 kg
Gross weight:	11.2 kg
Danish VVS No.:	391272312
Swedish RSK No.:	5885936
Finnish LVI No.:	4822588
Country of origin:	HU
Custom tariff no.:	84137021





Company name:

Created by:

Phone:

Date:

13/06/2024

Description	Value
Environmental approvals:	WEEE