



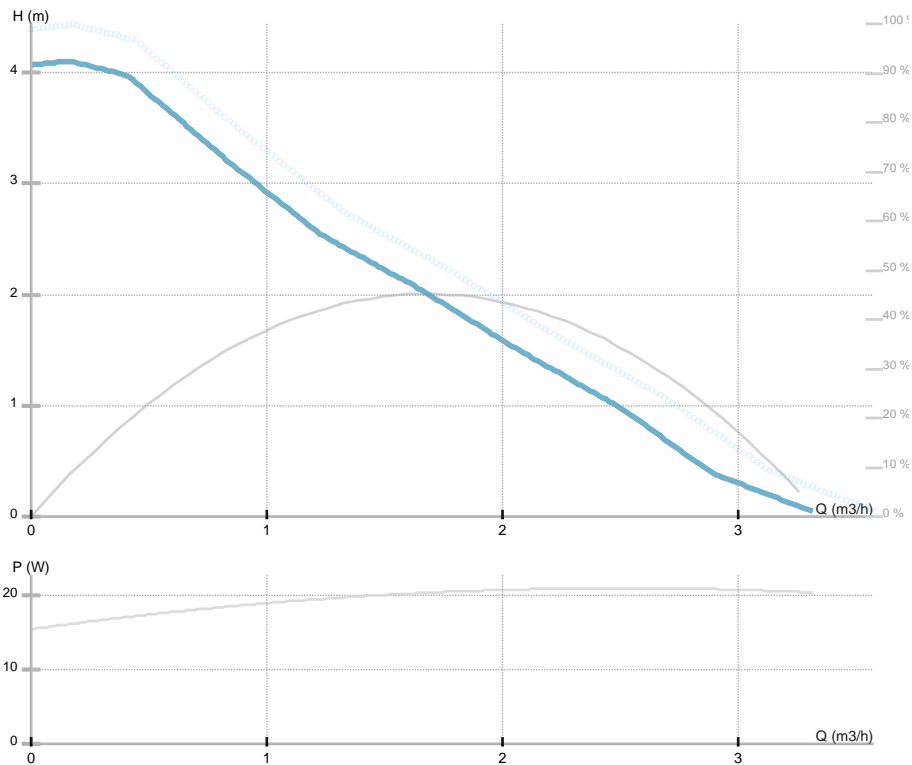
## NMTD PLUS 32/40-180

979523938

NMTD PLUS / Electronically regulated double circulation pumps  
 Heating/cooling, Klimatizacija

### GENERAL

Part number	<b>979523938</b>		
Part name	<b>NMTD PLUS 32/40-180</b>		
Seal type	EEl		<b>0.15</b>
Net weight	<b>5.11 [kg]</b>		
H max	<b>4.1 [m]</b>	H min	<b>0.0 [m]</b>
Q max	<b>3.32 [m3/h]</b>	Q min	<b>0.0 [m3/h]</b>
	<b>45 [%]</b>		
Noise	<b>≤43 dB(A)</b>		



### ELECTRICAL DATA

Power supply	<b>1~230 V</b>
Mains frequency	<b>50 Hz</b>
Motor power	<b>21 [w]</b>
RPM	<b>3500 [1/min]</b>
Insulation class	<b>F</b>
Declared current	<b>0.2 [A]</b>
Declared protection	<b>IP44</b>
Thermal protection	
Frame size	
Motor IE class	

### INSTALLATION

Fluid	<b>Water VDI 2035, glycol 40%</b>
Fluid temperature	<b>-10.0 ÷ 110.0 [°C]</b>
Ambient temp.range	<b>40 deg C</b>
Length	<b>180 [mm]</b>
DN	<b>32 [mm]</b>
Connector	<b>G 2</b>
Connection	<b>G 2</b>
Max pressure	<b>1.0 MPa</b>

### MATERIAL

Bearing material	<b>Ceramics</b>
Impeller material	<b>Noryl 1630V</b>
Hydraulics material	<b>Gray cast iron</b>
Shaft material	<b>Ceramics</b>

## **NMTD PLUS 32/40-180**

979523938

NMTD PLUS / Electronically regulated double circulation pumps

Heating/cooling, Klimatizacija



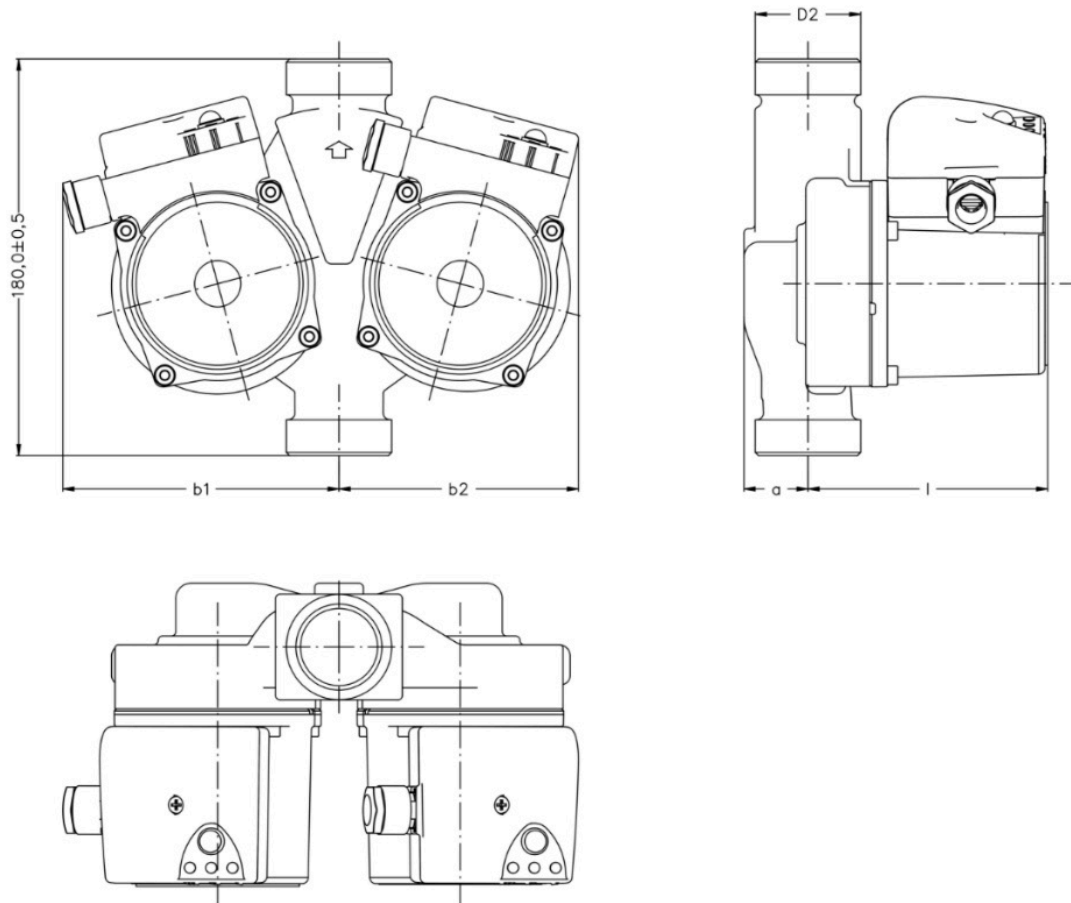


## NMTD PLUS 32/40-180

979523938

NMTD PLUS / Electronically regulated double circulation pumps  
Heating/cooling, Klimatizacija

Dimension drawing



L=180 DN=32 b1=125 b2=108 l=108 a=29 D2=2

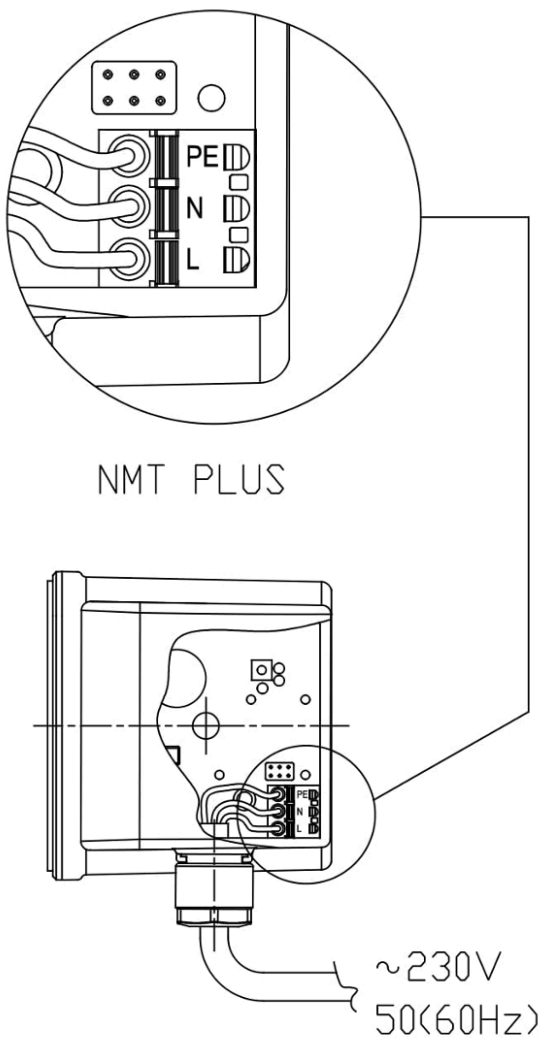


## NMTD PLUS 32/40-180

979523938

NMTD PLUS / Electronically regulated double circulation pumps  
Heating/cooling, Klimatizacija

Electrical wiring



NMT PLUS



## **NMTD PLUS 32/40-180**

979523938

NMTD PLUS / Electronically regulated double circulation pumps  
Heating/cooling, Klimatizacija