



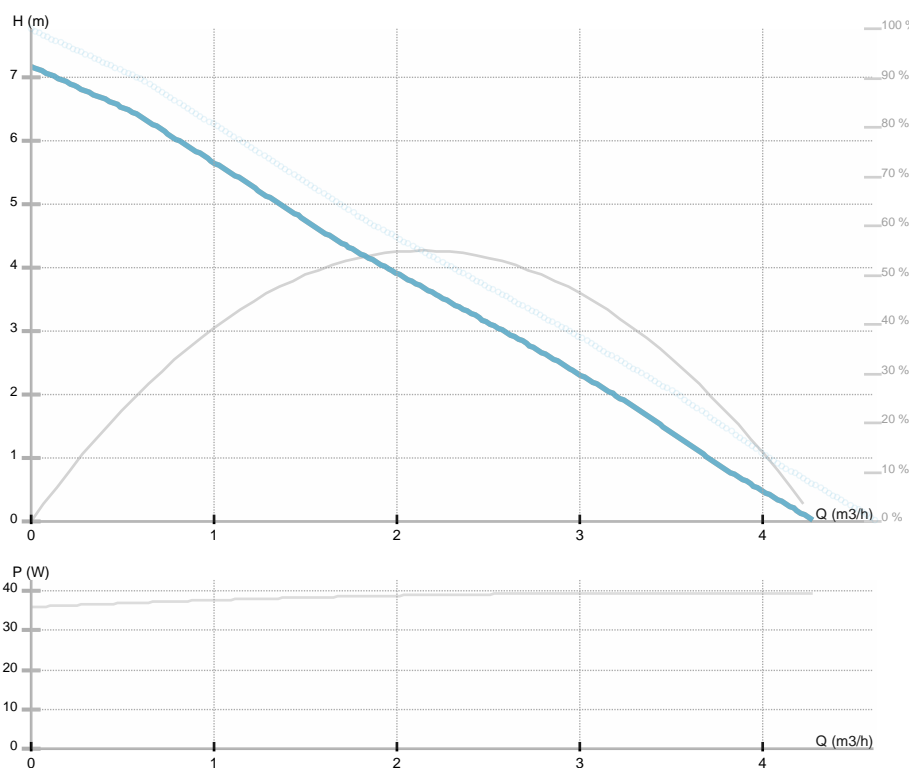
NMT MINI PRO 15/70-130

979527229

NMTD MAX C / Electronically regulated double circulation pumps - communication

GENERAL

Part number	979527229		
Part name	NMT MINI PRO 15/70-130	MEI	/
Seal type	/	EEI	0.18
Net weight	1.46 [kg]		
H max	7.2 [m]	H min	0.0 [m]
Q max	4.3 [m3/h]	Q min	0.0 [m3/h]
	[%]		
Noise	≤43 dB(A)		



ELECTRICAL DATA

Power supply	1~230 V
Mains frequency	50/60 Hz
Motor power	40 [w]
RPM	5200 [1/min]
Insulation class	F
Declared current	0.35 [A]
Declared protection	IP44
Thermal protection	NTC
Frame size	
Motor IE class	/

INSTALLATION

Fluid	Water VDI 2035, glycol 40%
Fluid temperature	-10.0 ÷ 110.0 [°C]
Ambient temp.range	40 deg C
Length	130 [mm]
DN	15 [mm]
Connector	G 1
Connection	G 1
Max pressure	1.0 MPa

MATERIAL

Bearing material	all carbon
Impeller material	Noryl Fe 1630PW
Hydraulics material	Gray cast iron
Shaft material	AISI 420

NMT MINI PRO 15/70-130

979527229

NMTD MAX C / Electronically regulated double circulation pumps - communication



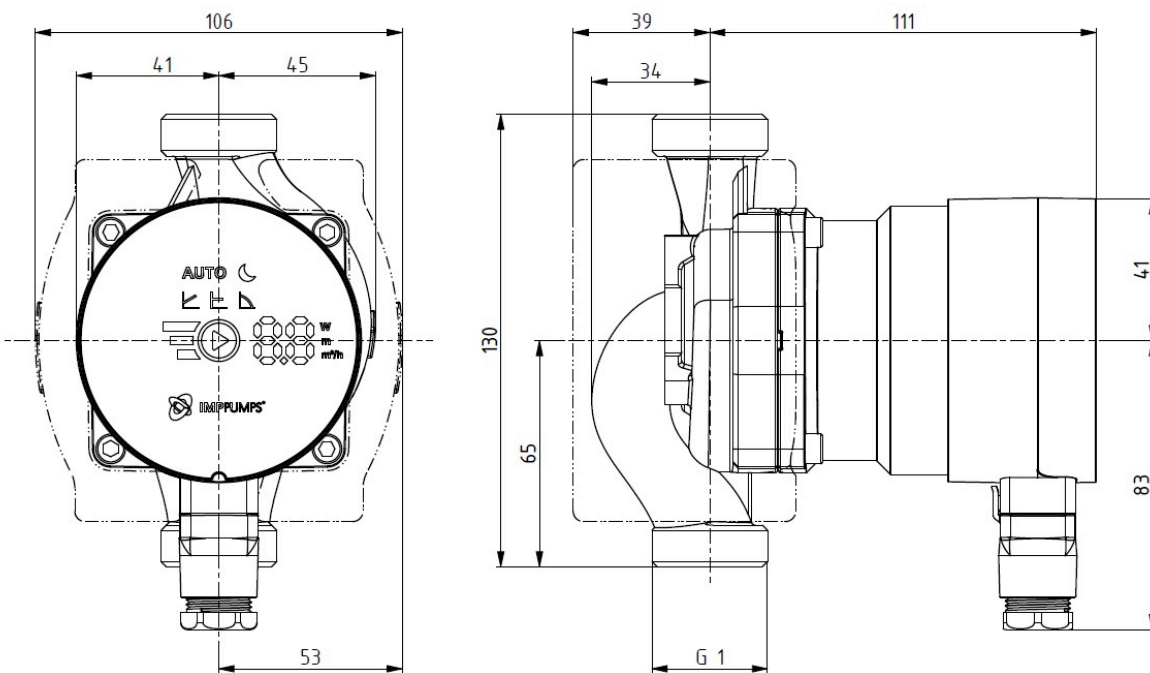


NMT MINI PRO 15/70-130

979527229

NMTD MAX C / Electronically regulated double circulation pumps - communication

Dimension drawing



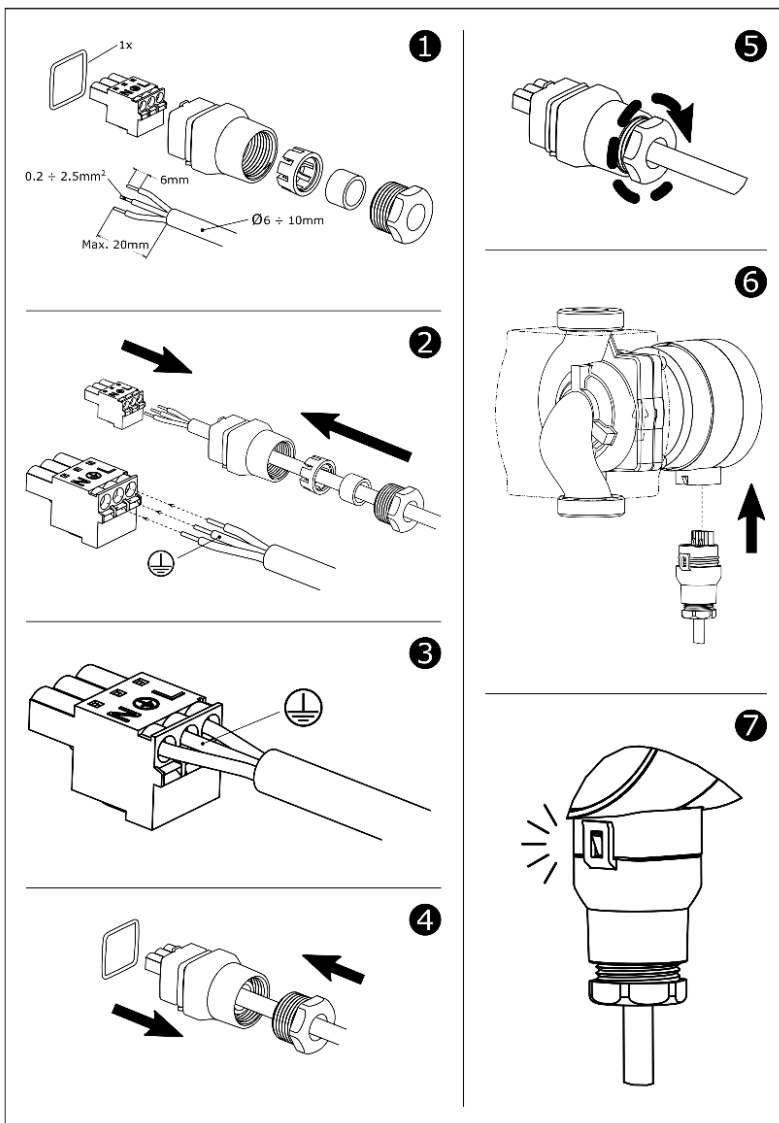


NMT MINI PRO 15/70-130

979527229

NMTD MAX C / Electronically regulated double circulation pumps - communication

Electrical wiring





NMT MINI PRO 15/70-130

979527229

NMTD MAX C / Electronically regulated double circulation pumps -
communication