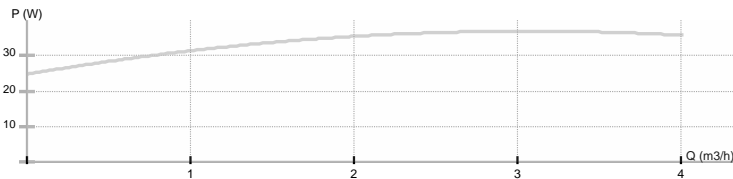
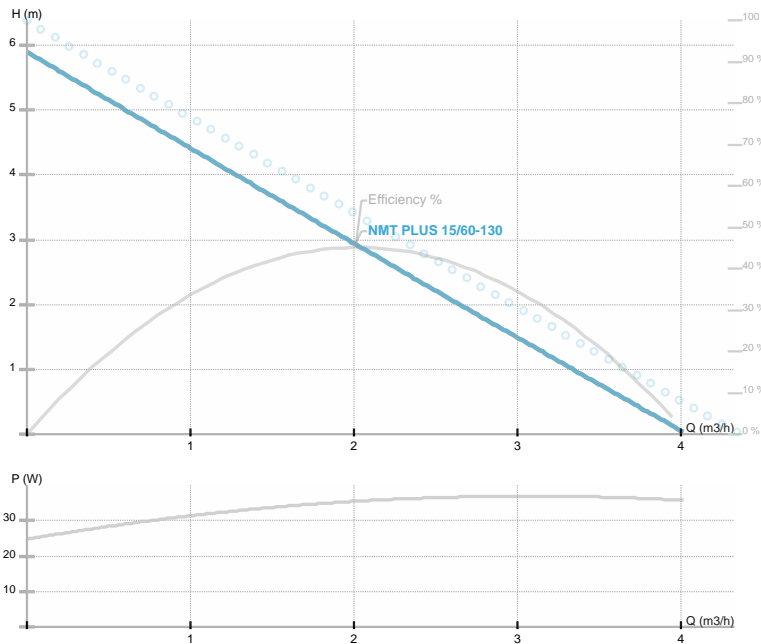




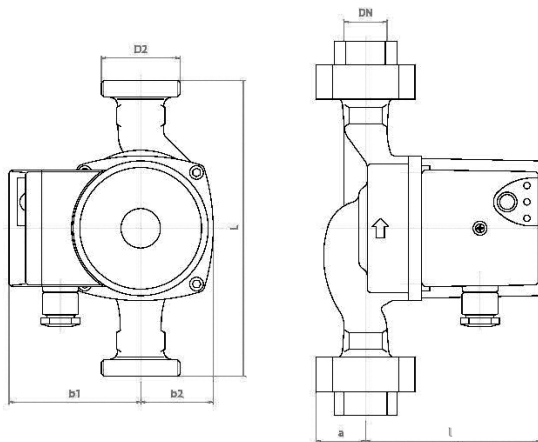
NMT PLUS 15/60-130

NMT PLUS / Electronically regulated circulating pump
 Heating, Climatisation



Part number	979523843
Power supply	1~230 V
Declared protection	IP44
Q max	3.31 [m³/h]
H max	5.76 [m]
RPM	4100 [1/min]
Motor power	36 [w]
Declared current	0.32 [A]
Fluid	Water VDI 2035, glycol 40%
Fluid temperature	-10.0 ÷ 110.0 [°C]
Insulation class	F
DN	15 [mm]
Connector	Rp ½
Net weight	2.00 [kg]
Length	130 [mm]
Approvals	CE EAC
EEI	0.19
Efficiency	38.25 [%]
Impeller material	Noryl 1630V
Bearing material	Ceramics
Shaft material	Ceramics
Hydraulics material	Gray cast iron
Mains frequency	50 Hz
Connection	Rp ½
Max pressure	1.0 MPa
Ambient temp.range	40 deg C

Drawing



L=130 DN=15 b1=80 b2=48 l=108 a=27 D2=1

Electrical wiring

