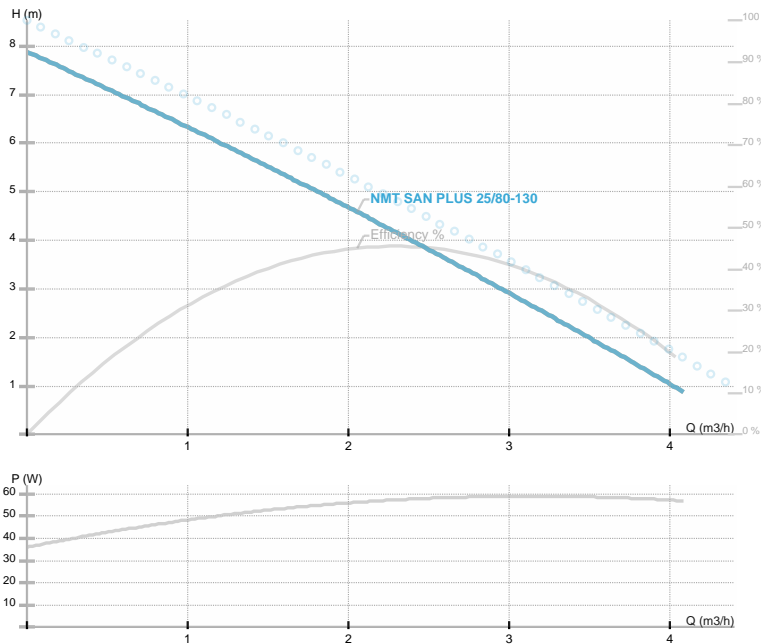




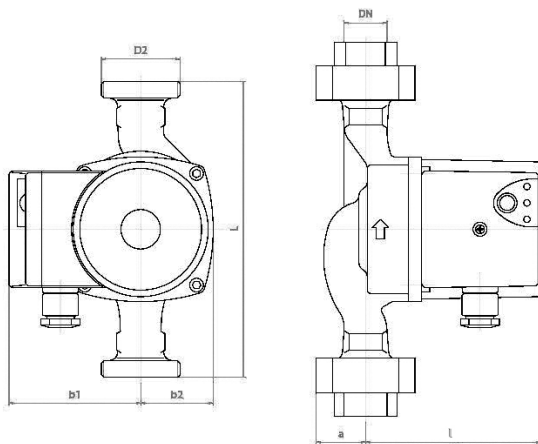
NMT SAN PLUS 25/80-130

NMT SAN PLUS / Electronically regulated threaded pumps for circulation of sanitary water
 Sanitary water



| | |
|---------------------|---------------------------|
| Part number | 979523936 |
| Power supply | 1~230 V |
| Declared protection | IP44 |
| Q max | 3.46 [m³/h] |
| H max | 7.66 [m] |
| RPM | 4800 [1/min] |
| Motor power | 57 [w] |
| Declared current | 0.5 [A] |
| Fluid | Water VDI 2035 |
| Fluid temperature | -10.0 ÷ 110.0 [°C] |
| Insulation class | F |
| DN | 25 [mm] |
| Connector | Rp 1 |
| Net weight | 2.30 [kg] |
| Length | 130 [mm] |
| Approvals | CE EAC |
| EEL | 0.2 |
| Efficiency | 36.09 [%] |
| Impeller material | Noryl 1630V |
| Bearing material | Ceramics |
| Shaft material | Ceramics |
| Hydraulics material | Bronze |
| Mains frequency | 50 Hz |
| Connection | Rp 1 |
| Max pressure | 1.0 MPa |
| Ambient temp.range | 40 deg C |

Drawing



L=130 DN=25 b1=80 b2=48 l=108 a=32 D2=6/4

Electrical wiring

